

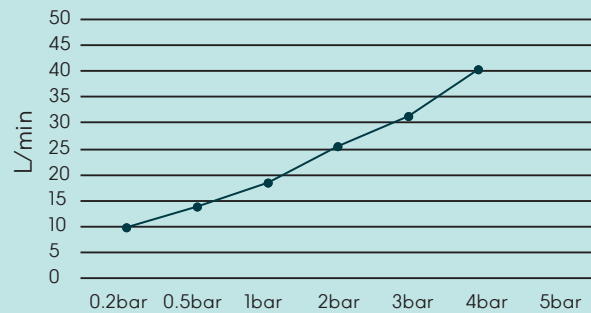
AFTERCARE INSTRUCTIONS

These products have a high quality, durable finish which in order to preserve, should be treated with care.

Clean with warm soapy water and a soft damp cloth only.

Cleaning products, including non-scratch ones could damage the finish.

WATER FLOW RATE



CUSTOMER SERVICE

t: +44(0)208 686 5100

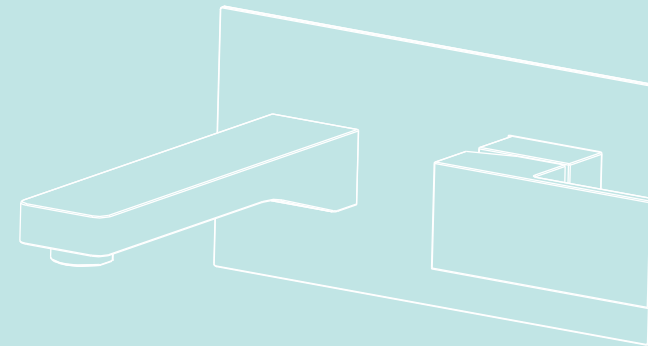
e: technical@saneux.com

Iain Stewart Centre, Beehive
Ring Road, Gatwick, RH6 0PB

www.saneux.com

TOOGA

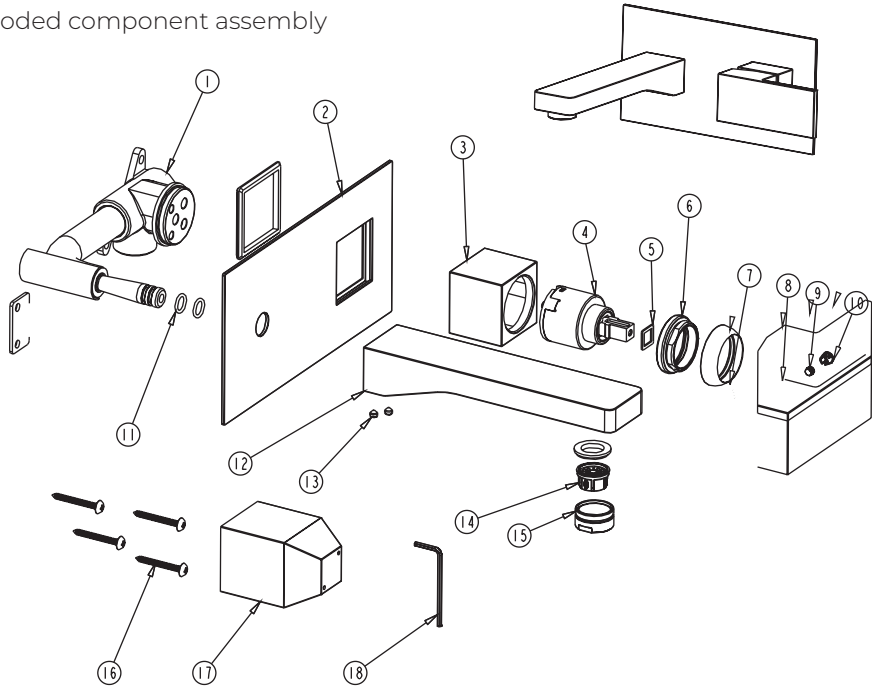
INSTALLATION INSTRUCTIONS



TO205
Wall Mounted Basin Mixer

saneux

Exploded component assembly



Prior to installation flush out the pipe work to remove debris and then ensure the water supply is turned off.

1. Ensure the pipework is correctly arranged to suit the position of the hot/cold inlets (etched on the valve body).

2. Fix the valve to the supporting framework using the screws provided.

3. Ensure the valve is set

back from the finished front face of the wall by the correct depth of min 55mm max 75mm (Allow for tiles, adhesive, etc).

4. Remove the plastic cover protecting the chrome valve. Slide the chrome face plate over the valve until flush against the finished wall surface.

5. Slide the spout over the brass valve until it is fully flush against the

face plate.

Fix the spout to the valve using the hex key and grub screws provided.

6. Attach the handle to the valve ensuring the handle lever is facing the side. Fix the handle to the valve using the hex key and grub screw provided. Apply the grub screw cover.

