

AFTERCARE INSTRUCTIONS

When using chlorine-based cleaners to clean the pan bowl, ensure that these do not come into contact with the seat. Keep the seat and cover in an upright position during cleaning to avoid discolouration of surfaces or rusting of metal parts.

CUSTOMER SERVICE

t: +44 208 686 5100

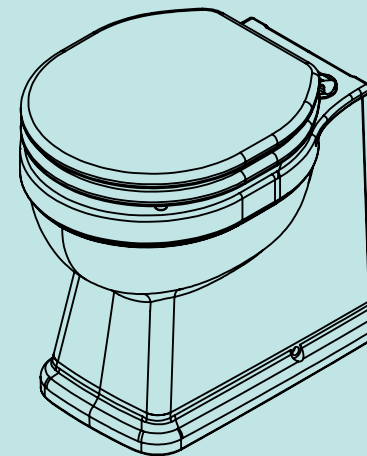
e: sales@saneux.com

Iain Stewart Centre, Gatwick,
Beehive Ring Road, RH6 0PB

www.saneux.com

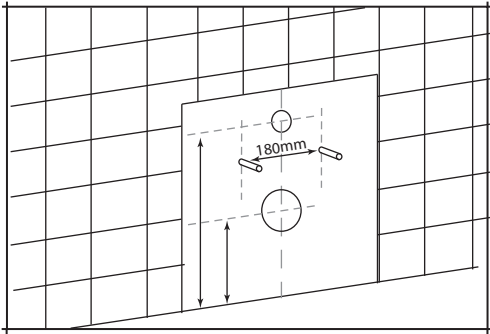
SOFIA

INSTALLATION INSTRUCTIONS

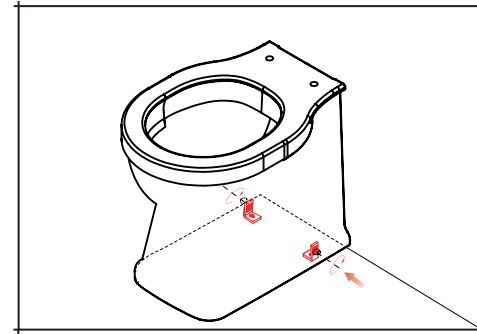


SOBTWO1

saneux

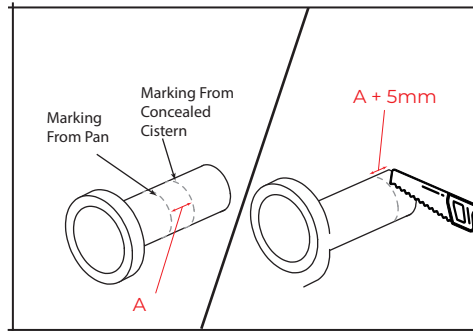


1. After installing the cistern and its frame, be careful to correctly set the spacing of carrier bolts and tighten the nuts.

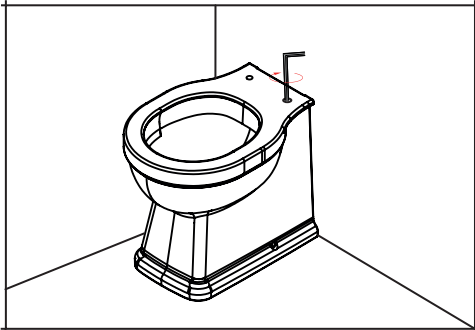
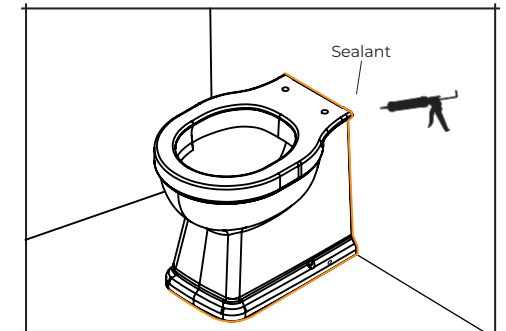


5. With the pan on the desired location, check that the back of the pan fully meets the wall. Remove the pan and further tighten the floor fixings. Return the pan to the desired location paying attention that the pipe fittings are connected with the tubes and secure the screws to the floor fixings through the holes on the sides of the pan. Place the cover caps on the side holes.

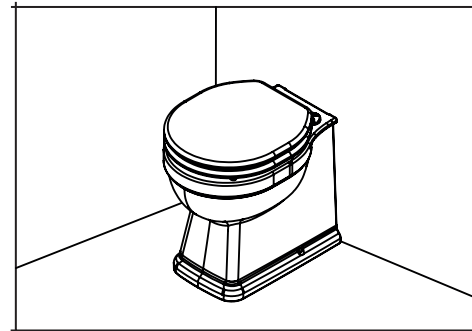
2. Place the Inlet and outlet pipes on the pan and mark where they extend past the edges of the bowl. Then place the pipes completely onto the sanitary unit and mark them where they emerge from the unit. Measure the space between the marks on the pipes (distance A), carry this measurement over to the end of the pipes, adding 5mm and then cut off the end. Use a file to smooth the pipe ends, before securing the pipes into the cistern unit.



6. Add sealant around the back of the pan, creating a watertight seal between the pan and the wall.



3. Place the new toilet on the wall. Use the provided allen key to tighten the fixings and level the toilet. Flush the system and check for any leaks.



7. Install the seat according to the fitting instructions included in the seat's box.

4. With the pan in the desired location, mark the position of the holes on the floor. Measure the ceramic thickness of the pan and mark the approximate location of the floor fixings. Drill a hole on the ground and locate the plugs so that they are flush with the ground surface. Tighten the floor fixings.

