

## AFTERCARE INSTRUCTIONS

Excessive exposure to water will deteriorate the furniture. Wipe away any water splashes or condensation after use.

All bathrooms should be well ventilated. If necessary we recommend the installation of a suitable extractor fan.

Clean with a soft damp cloth only.

Use a wax free polish if one must be used.

## CUSTOMER SERVICE

t: +44 208 686 5100

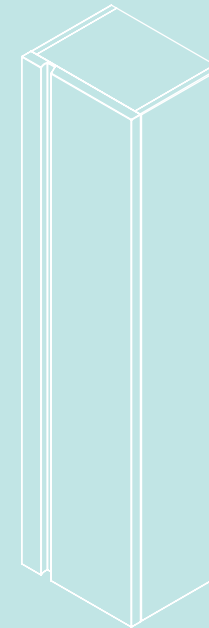
e: [sales@saneux.com](mailto:sales@saneux.com)

Iain Stewart Centre, Gatwick,  
Beehive Ring Road, RH6 0PB

[www.saneux.com](http://www.saneux.com)

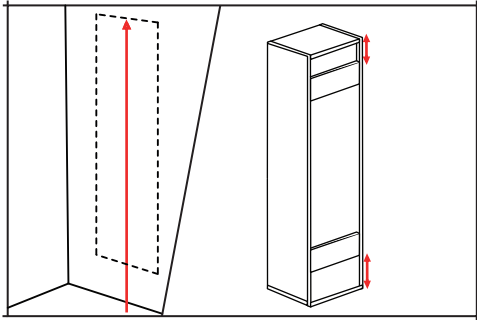
# MATTEO

## INSTALLATION INSTRUCTIONS



MA030S

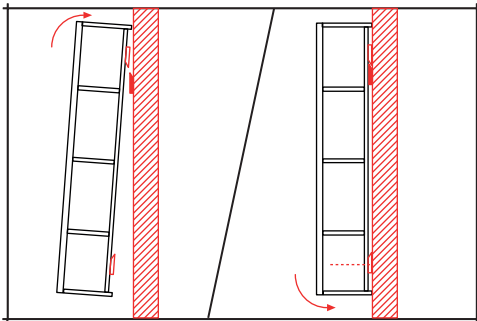
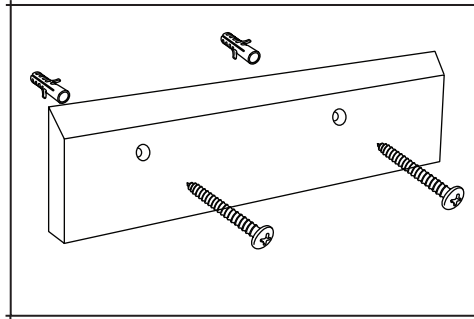
saneux



Furniture Installation.

Offer the unit to the wall and mark its location. Measure the distance from the top and bottom of the unit to the bracing bars on the back of the unit.

Make sure that there are no hidden pipes or cables in the wall. Using a spirit level to ensure accuracy, drill 2 holes per mounting bar, using an 8mm drill bit to a depth of 55mm. The fixings supplied are for solid walls. For hollow or stud walls use specialist fixings.



Hang the furniture unit on the top bar, allowing it to slide down into position. We recommend further securing the unit to the wall by driving 2 screws through the lower bracing bar.

The doors can be removed by pushing the button at the back of each hinge. The position of the doors can be adjusted by the screws on the hinges. Screw A adjusts the depth. Screw B adjusts the width.

