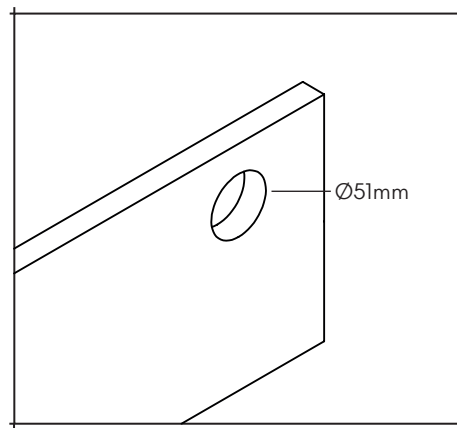
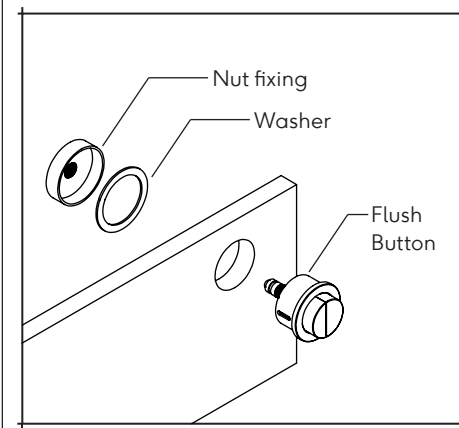


HC2030FB

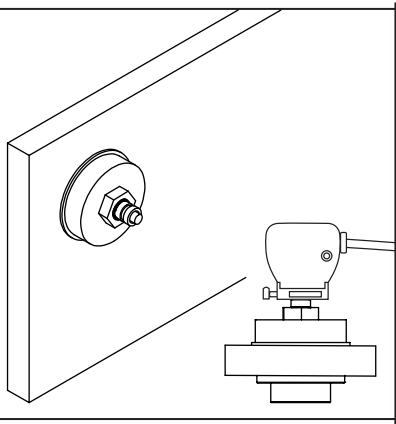
INSTALLATION INSTRUCTIONS



1 -
Mark the location for the flush button and using Ø51mm Hole saw cut through the medium you intend to mount the flush button onto.



2 -
Remove the nut fixing and washer from the flush button and place through the hole. Then orientate the button and add the washer and tighten the nut fixing securely from behind.



3 -
Attach the HC2030
cistern to the
button.

OPERATION INSTRUCTIONS

To operate the button follow
these steps:

For half flush:
Press both buttons until you
feel resistance.

For full flush:
Press the larger button in till
it is flush with the housing.

AFTERCARE INSTRUCTIONS

This product has a high
quality, durable finish which
in order to preserve, should
be treated with care.

Clean with warm soapy
water and a soft damp cloth
only.

Cleaning products,
including non-scratch ones
could damage the finish.

V2 . AJ . 06/21

CUSTOMER SERVICE

t: +44(0)208 686 5100
e: technical@saneux.com

4 Imperial Way
Croydon CR0 4RR

www.saneux.com

SANEUX | TECHNICAL