


AFTERCARE INSTRUCTIONS

Regular cleaning with a soft cloth will keep the surface of your product looking new. Soapy water can be used to remove stubborn marks. Do not use abrasive or chemical cleaners as these may damage the surface finish over time.

WARRANTY

This product carries a 5 year warranty against faulty materials & manufacturing defects. The warranty does not cover any defect arising from damage, negligence, usage outside the products intended purpose or fair wear & tear. The warranty does not cover pinholes or other issues caused by insufficient cleansing or protection of the central heating system. We reserve the right to investigate all claims & conduct appropriate testing if deemed necessary. The warranty applies to the first purchaser only, is non-transferable & proof of purchase will be required for all warranty claims. This warranty applies to the United Kingdom only and does not affect your statutory rights. Full warranty terms and conditions can be found on our website.


<p>Reaction to fire: A1 Release of dangerous substances: None Maximum operating pressure: 1000 kPa Surface temperature: Maximum 120°C Resistance against corrosion: No corrosion after 100 h humidity Resistance against minor impact: Class 0</p>	
---	---

CUSTOMER SERVICE

t: +44(0)208 686 5100
 e: technical@saneux.com

Iain Stewart Centre, Beehive
 Ring Road, Gatwick, RH6 0PB

www.saneux.com

 CAUTION: To avoid overheating, do not cover the heating appliance.

 CAUTION: Hot surface.

Ember

INSTALLATION INSTRUCTIONS



EM1005.F

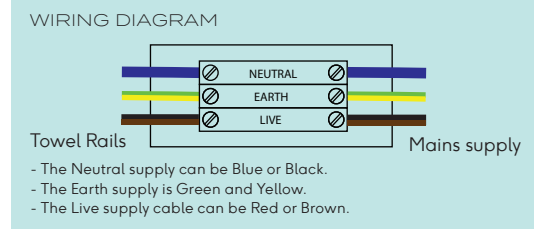
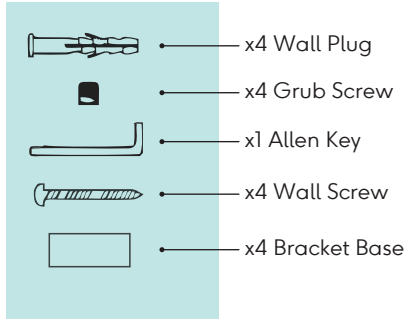
saneux

This product is manufactured from mild steel and is only suitable for installation within a central heating system with a corrosion inhibitor added to the water.

Take care when drilling tiled surfaces as the drill might slip, wear suitable eye protection when drilling. Beware of hidden pipes or cables. The towel rail must be secured to a suitably strong wall to ensure stability. If in any doubt please consult an expert.

Ensure all additional components are present prior to installation.

COMPONENTS



As the colours of the wires in the mains lead of this appliance may not correspond to the coloured markings identifying the terminals in your plug, proceed as follows:

The wire which is coloured in GREEN and YELLOW must be connected to the terminal in the plug which is marked with the letter (E) or (G).

The wire which is coloured BLUE must be connected to the terminal which is coloured with the letter (N).

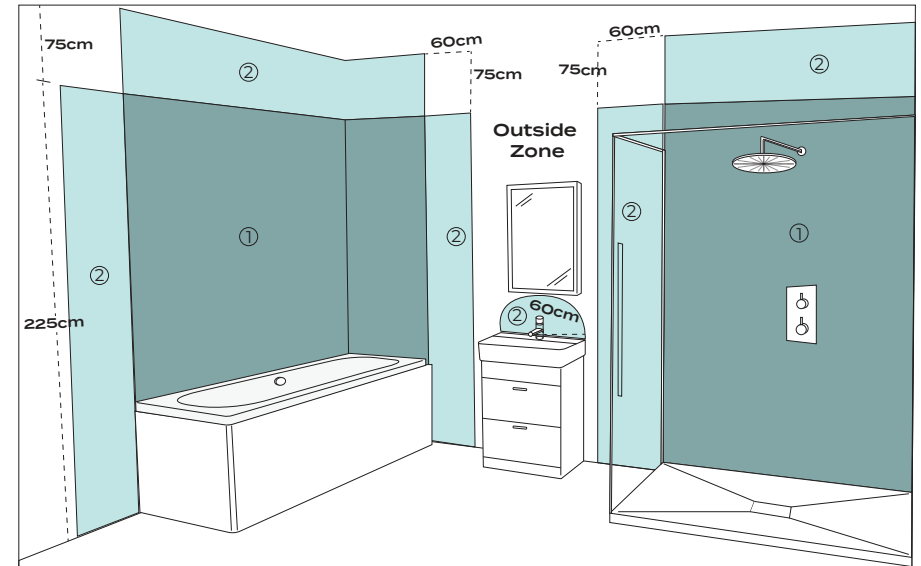
The wire which is coloured in BROWN or black must be connected to the terminal which is coloured with the letter (L).

WARNING: Our company cannot be held responsible for problems that arise during use without grounding. (Only applicable for Class I version)

WARNING: NEVER join earth line with neutral line. (Only applicable for Class I version)

WARNING: The radiator must not be used in applications where there is no grounding line or the grounding line is not suitable according to the rules. (Only applicable for Class I version)

- If the radiator is to be installed in a place used by the public, a warning notice should be placed adjacent to the radiator advising that the surface can be hot.
- The heating appliance must not be placed under neath a power outlet.
- This appliance is not intended for use at altitudes exceeding 2000m.
- In case of accidental over-heating and/or improper use, the circuit of the heater might be interrupted. **THE HEATER IS NO LONGER USABLE AND MUST BE REPLACED.**
- The towel warmer is to be installed so that switches and other controls cannot be touched by a person in the bath or shower.
- The system must be fitted with an omnipolar circuit-breaker with a minimum contact opening of 3mm.
- Before using the heater please check the correspondence between the system's voltage and the heaters nominal tension as specified on the name plate. Electrical safety is guaranteed only and exclusively when the heater is connected to a properly earthed electrical system, as requested by the current safety standards (only CL1 version).
- If the declaration of this device indicates that it is a Class I insulation class, it has to be grounded. It must be operated under the declared network voltage and frequency conditions (eg. 230VAC/50Hz). If the declaration of this device indicates that it is a Class II insulation class, it should not be grounded. It must be operated under the declared network voltage and frequency conditions (eg. 120VAC/60Hz). Regulators should be used when necessary, in order to ensure correct operating voltage and frequency requirements.

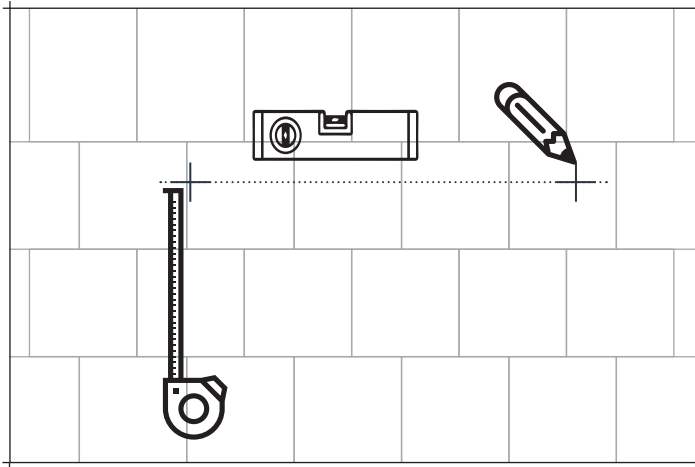


All electrical bathroom products should be fitted by a qualified electrician. This product is only suitable for the 'Outside zone' indicated in the image above.

Always disconnect the electricity supply from the mains during installation and maintenance. It is recommended that the fuse is withdrawn or circuit breaker switched off at the distribution board while work is in progress. (turning off the switch is not sufficient. A warning sign should be used.)

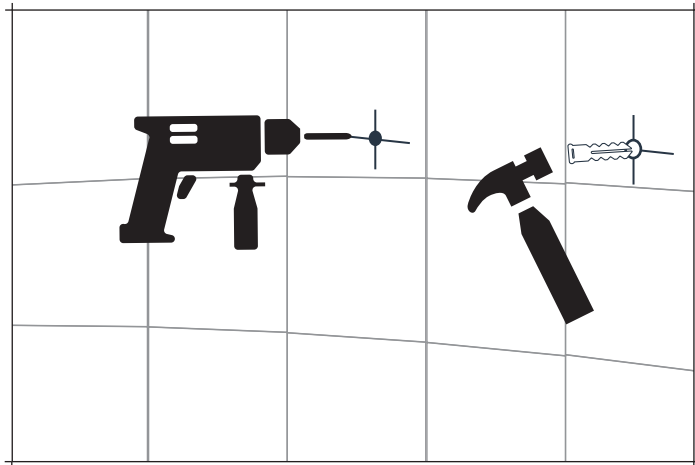
Verify that the rated voltage of heater is the same as the supply voltage.

Check that the electricity supply system is connected through an MCB (Magnetothermal Circuit Breaker) and RCCB (Residual Current Circuit Breaker) devices.



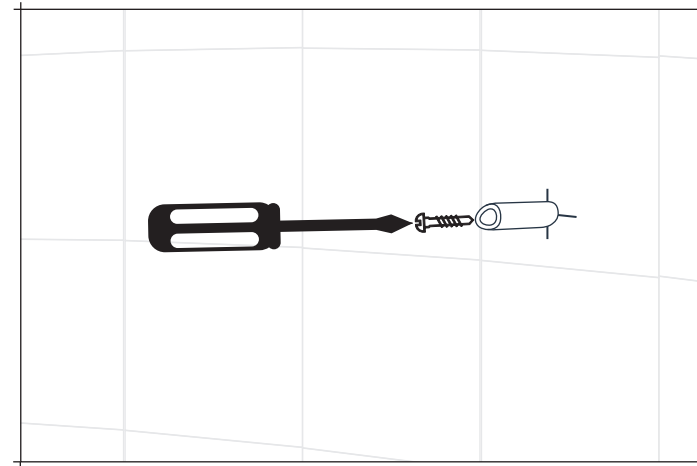
Adjust the height of your radiator by using a tape measure.

In order to avoid a hazard for very young children, this appliance should be installed so that the lowest heated rail is at least 600mm above the floor.

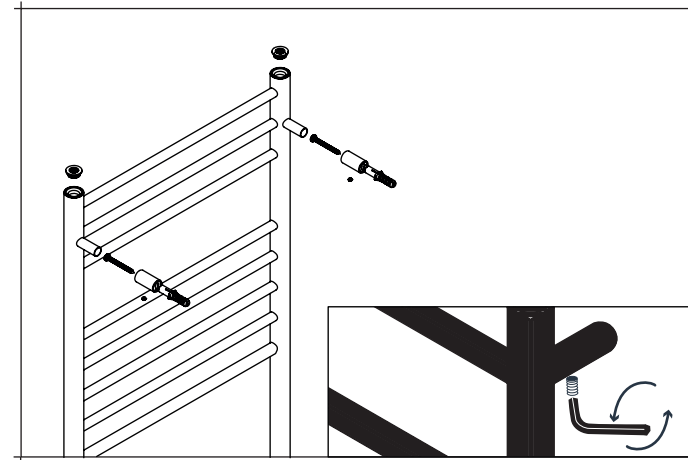


Drill holes (\varnothing 10mm) into the spots you have marked.

Insert the wall plugs.



Screw the wall mounting brackets all the way to the holes with the help of a screwdriver.



Place radiator onto the wall mounting brackets to a desired depth.

Towel rail should be mounted with the heater down

Tighten the the grub screws to secure the towel rail.