

AFTERCARE INSTRUCTIONS

All bathrooms should be well ventilated. We recommend the installation of a suitable extractor fan.

Clean with a soft damp cloth only. Cleaners of an abrasive nature should not be used.

Care should be taken to avoid contact with strong chemicals such as organic solvents and strippers.

CUSTOMER SERVICE

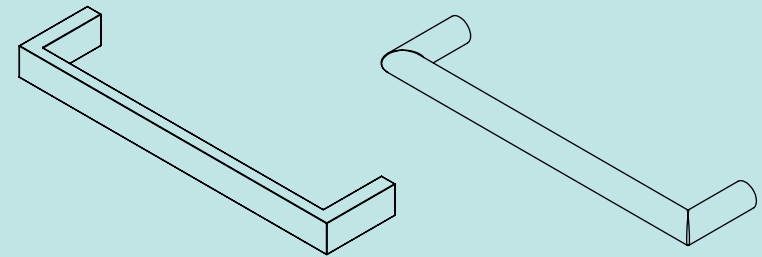
t: +44(0)208 686 5100
e: technical@saneux.com

4 Imperial Way
Croydon CR0 4RR

www.saneux.com

EMBER

INSTALLATION INSTRUCTIONS



Electric Towel Rails

saneux

Before drilling, ensure there are no hidden cables or pipes in the wall.

Always wear PPE when installing bathroom products.

Throughout the entirety of the installation process, make sure that the electrical mains supply to which the product is being connected is turned off.

This product should be installed by a qualified electrician, in accordance with the latest IET BS 7671 wiring regulations.

The towel rails will provide a surface temperature of approx. 50°C, with a +/- 5°C tolerance based on a room temperature of 22°C. Higher or lower room temperatures will affect the maximum heating temperature.

We recommend that the towel rails are not switched on for a period exceeding 12 hours.

Always allow access to the transformers after installation.

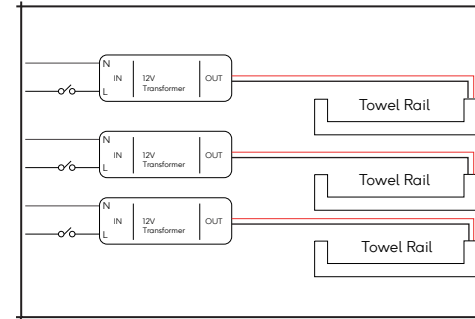
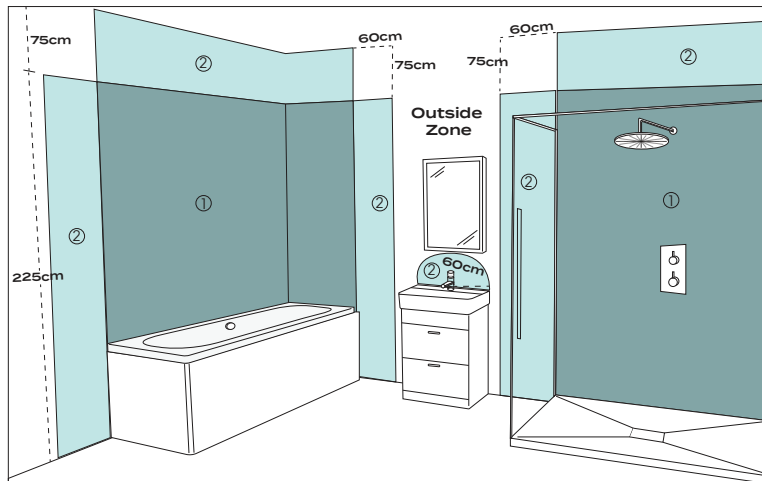
Do not operate this towel rail if damaged or after the Towel Rail malfunctions or has been dropped or damaged in any manner. Return to a qualified electrical person for examination, electrical service or repair.

Do not immerse in liquid or allow liquid to run into the interior of the Towel Rail.

Use this towel rail only with the voltage specified:

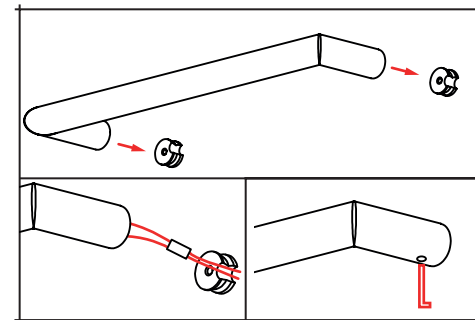
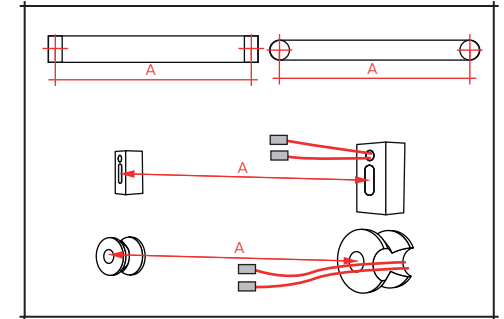
Supply: 12VAC 50Hz
 Wattage: 45cm - 17W / 60cm - 23W
 IP Rating: IP44

This product is suitable for installation in Zone 2 and the Outside zone indicated below.



1. Each towel rail must be installed with the 12V transformer supplied. The distance from the transformer to the towel rail must be **less than 2 metres**. Prepare the wiring for the towel rails, ensuring there is **access to the transformers** and that the **cabl e ends are protected** whilst other work is carried out.

2. Measure distance A and mark the position of the fixing blocks on the wall, ensuring they are level. Drill the holes marked and install the fixing blocks with the plugs and screws provided. The wires should be taken through the fixing blocks.



3. Connect the wires to the connection terminal supplied in the towel rail. Gently push the towel rail into the fixing blocks ensuring they go all the way to the wall. Tighten the grub screws on the underside of the towel rail with the allen key provided.

4. We recommend the application of a clear silicone sealant around the areas where the rail meets the wall.

