

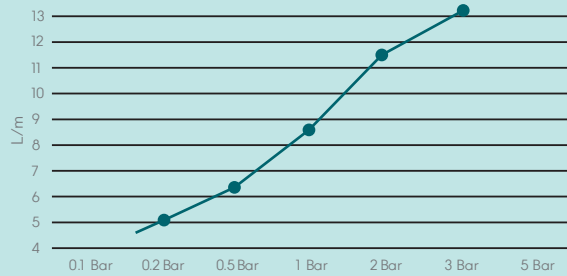
AFTERCARE INSTRUCTIONS

This product has a high quality, durable finish which in order to preserve, should be treated with care.

Clean with warm soapy water and a soft damp cloth only.

Cleaning products, including non-scratch ones could damage the chrome surface.

Water Flow Rate:



CUSTOMER SERVICE

t: +44(0)208 686 5100
e: technical@saneux.com

Iain Stewart Centre, Beehive
Ring Road, Gatwick, RH6 0PB

www.saneux.com

EDEN

INSTALLATION INSTRUCTIONS



EDO03

saneux

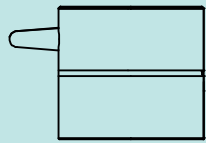
BEFORE YOU BEGIN

Be sure to flush the pipes of any possible debris before connecting the tap to the water supply as this could cause damage to the tap.

Ensure all components are present prior to installation.

Before installation ensure the water mains are off.

We recommend installing the tap body and handles to the basin before installing the basin.



x2 Handles



x2 Cartridge body



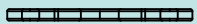
x2 Rubber Washer



x2 Brass Nut



6mm Screw Thread



Rubber Securing Plate

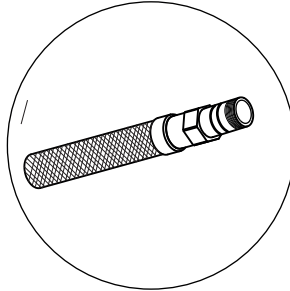


Securing Plate

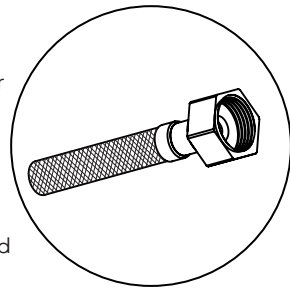


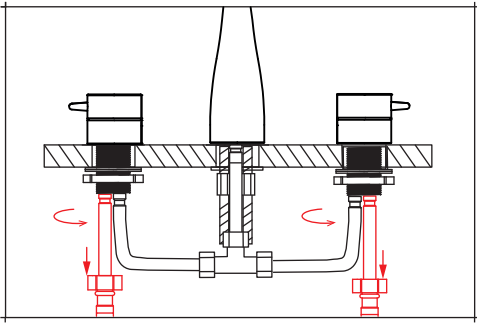
Brass Hex Nut

MALE HOSE END



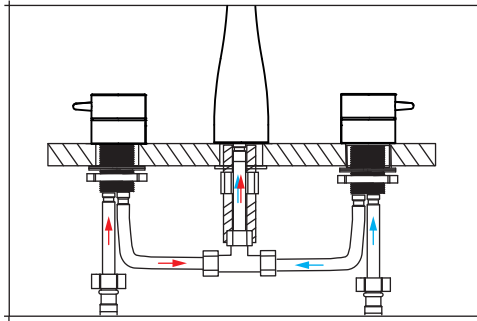
FEMALE HOSE END



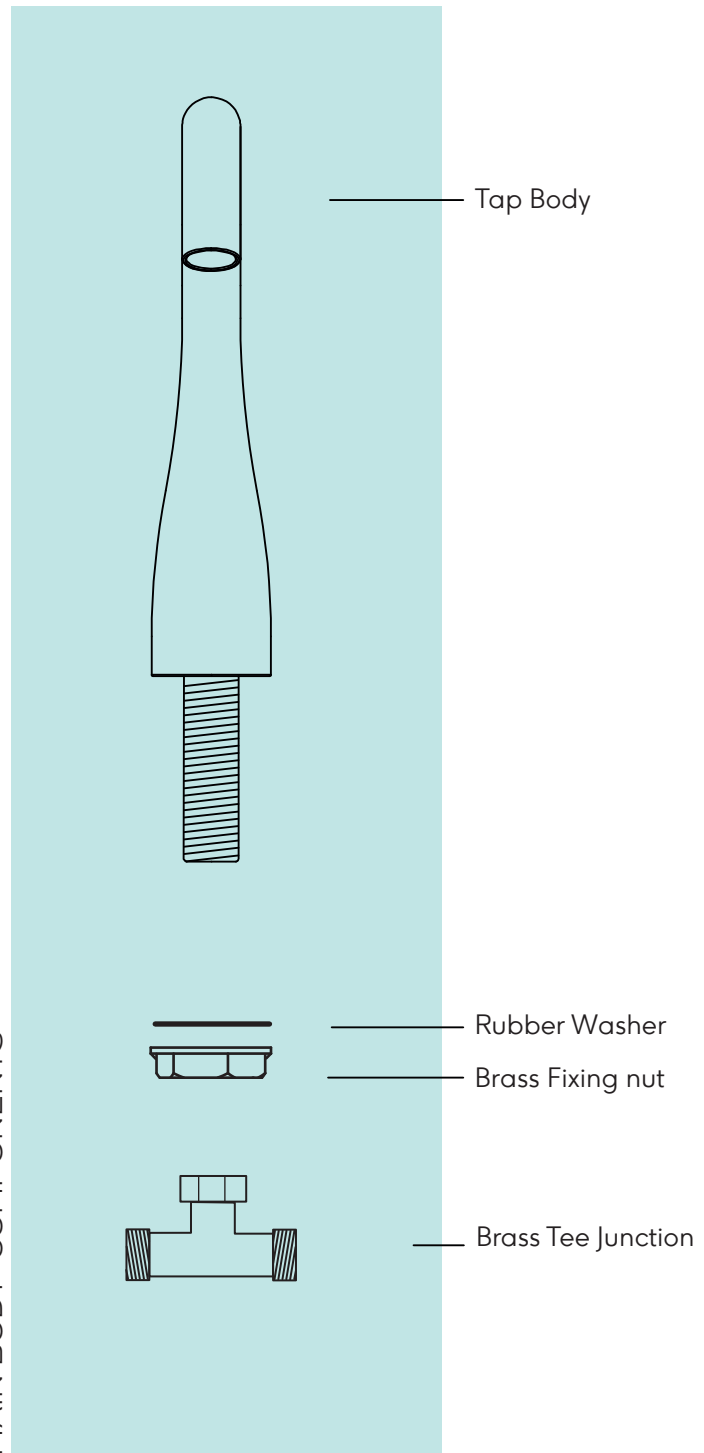


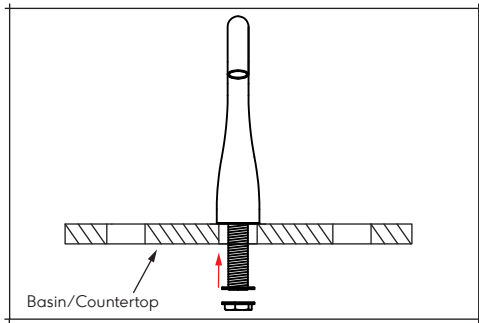
11.
Secure fixings between the mains and handle inlet hoses.

12.
Turn the water on to test the installation has been carried out correctly. Ensure all connections are tightened securely.

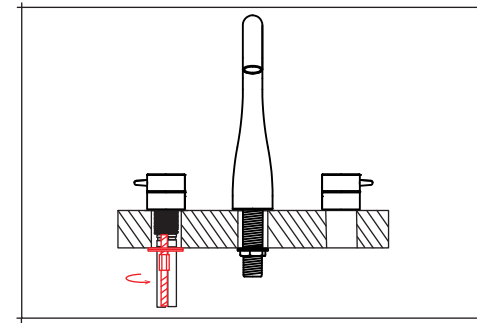


MAIN BODY COMPONENTS



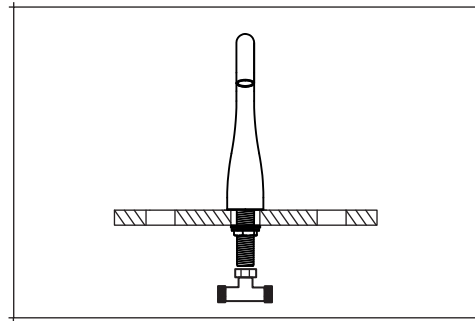


1.
Install the tap body onto the basin or countertop using the supplied rubber washer and brass nut.



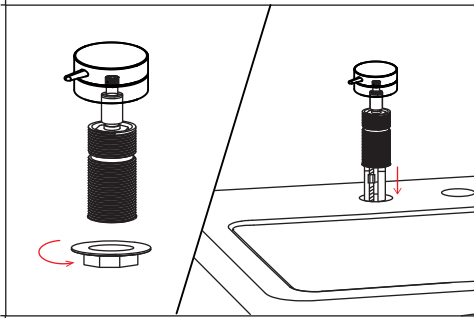
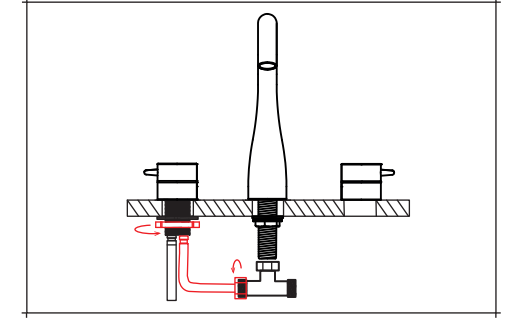
5.
If you have a thicker basin, feed the thread and the two plates through the basin hole. Then tighten the brass nut with a basin wrench.

2.
Fix the brass tee junction onto the base of the tap bodies thread.

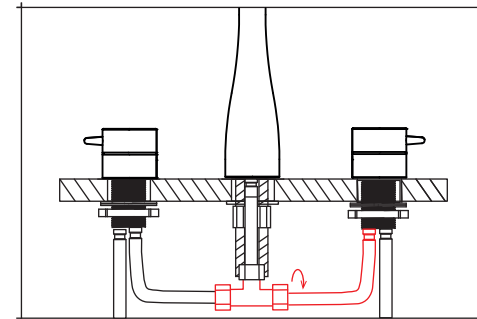


6.
Connect the other end of the flexi tube coming out of the the 'OUT' hole of the handle to the brass tee junction. Tighten securely.

NOTE: Hold the flexi tube still so it doesn't come undone at the other end.

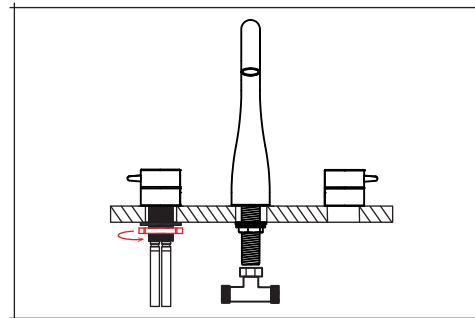


3.
Next, unscrew the brass flange nut from the handle and put to one side. Then take your flexi inlet hose and screw the male end into the base of the valve marked 'IN'. Take your second flexi hose and screw the male end into the base of the valve marked 'OUT'. Then feed the handle through the hole in the basin.



7.
Repeat for the other handle.

4.
Depending on the thickness of your basin, you will either use the brass flange nut to secure the handle in place or the longer screw thread sticking out of the bottom. If your basin is not too thick you can remove the long thread, securing plates and brass nut. Tighten the brass flange nut.



8.
Tighten either the brass nut or securing plate and brass nut to fully tighten the handles flush with the basin surface. Ensure the handles are in the correct orientation.

