

## AFTERCARE INSTRUCTIONS

This product has a high quality, durable finish which in order to preserve, should be treated with care.

Clean with warm soapy water and a soft damp cloth only.

Cleaning products, including non-scratch ones could damage the chrome surface.

## CUSTOMER SERVICE

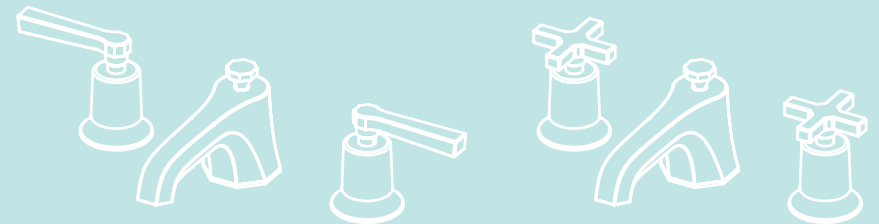
t: +44(0)208 686 5100  
e: [technical@saneux.com](mailto:technical@saneux.com)

Iain Stewart Centre, Beehive  
Ring Road, Gatwick, RH6 0PB

[www.saneux.com](http://www.saneux.com)

# CROMWELL

## INSTALLATION INSTRUCTIONS



CRO03L, CRO03X

saneux

## BEFORE YOU BEGIN

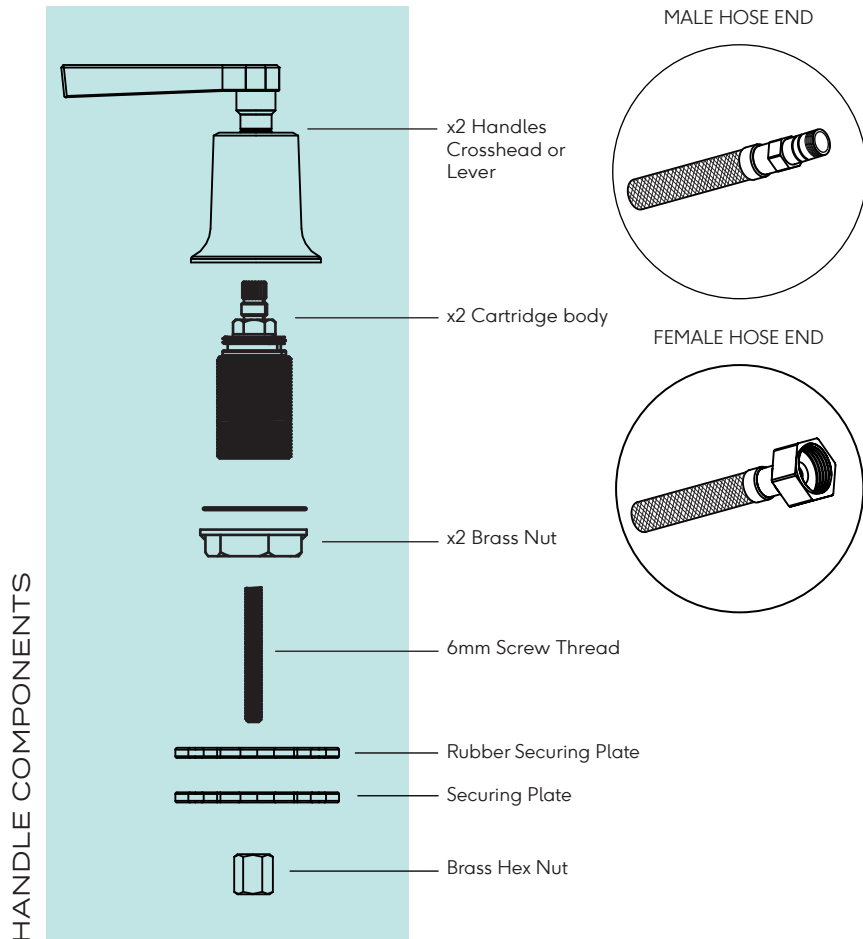
Be sure to flush the pipes of any possible debris before connecting the tap to the water supply as this could cause damage to the tap.

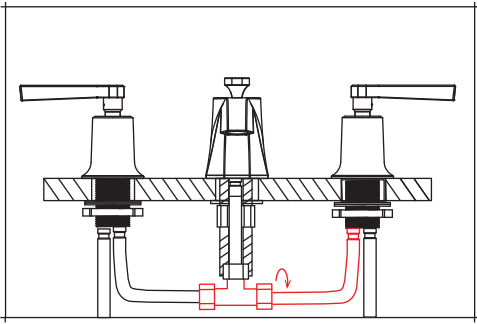
Ensure all components are present prior to installation.

Before installation ensure the water mains are off.

We recommend installing the tap body and handles to the basin before installing the basin.

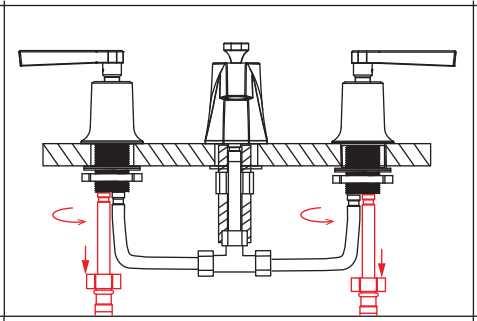
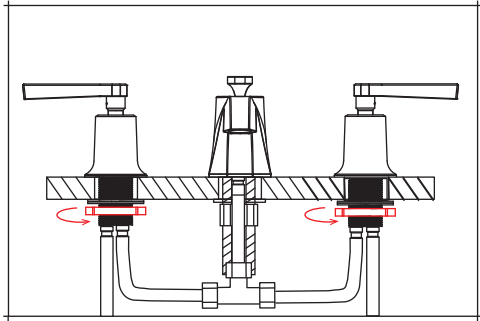
**IMPORTANT:** If you wish to use the Pull up waste, before starting installation, use an allen key to remove the bolt from inside the tap body that fixes the lever in place. This will be replaced by the pull up waste components.





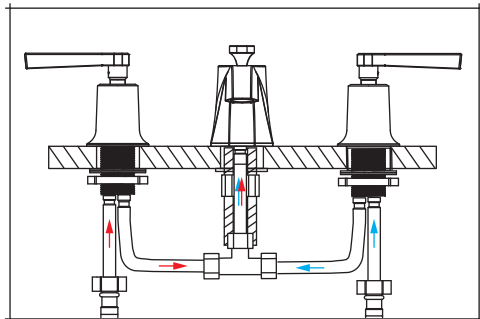
9.  
Repeat for the other handle.

10.  
Tighten either the brass nut or securing plate and brass nut to fully tighten the handles flush with the basin surface. Ensure the handles are in the correct orientation.

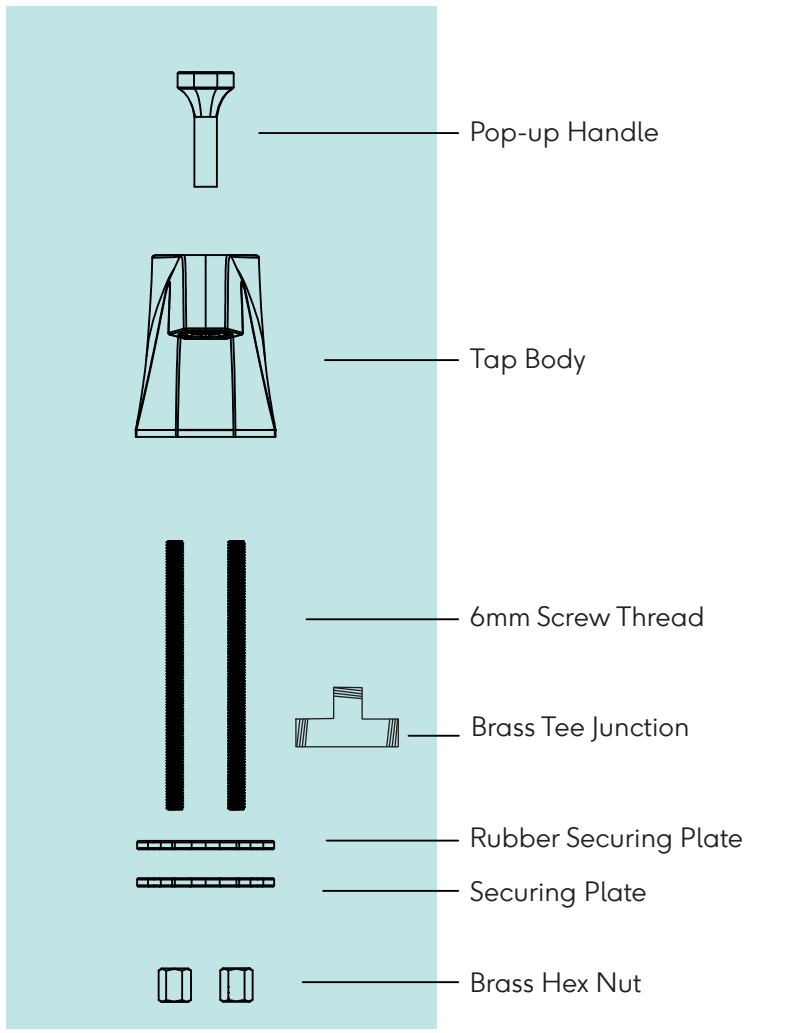


11.  
Secure fixings between the mains and handle inlet hoses.

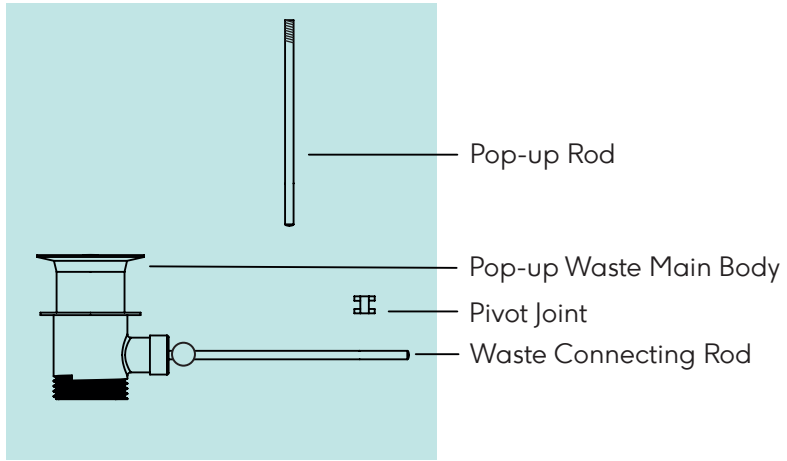
12.  
Turn the water on to test the installation has been carried out correctly. Ensure all connections are tightened securely.

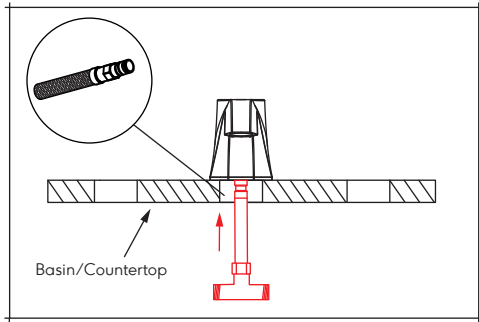


MAIN BODY COMPONENTS

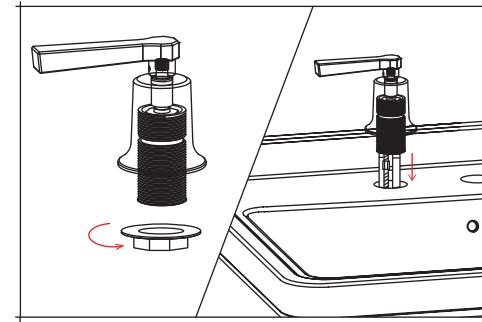


POP-UP WASTE



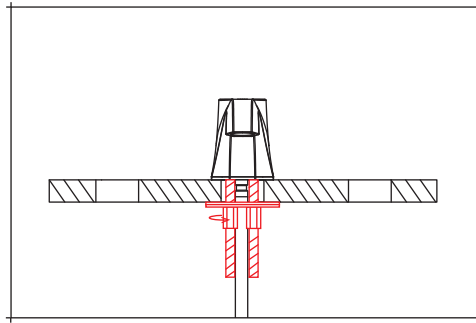


1.  
Attach the flexi hose to the base of the tap body. Ensure you are connecting the male end to the tap body. Then connect the female end to the brass tee junction.

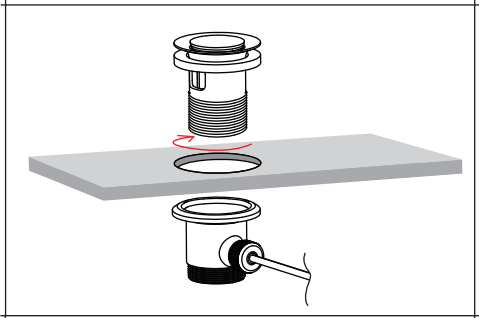
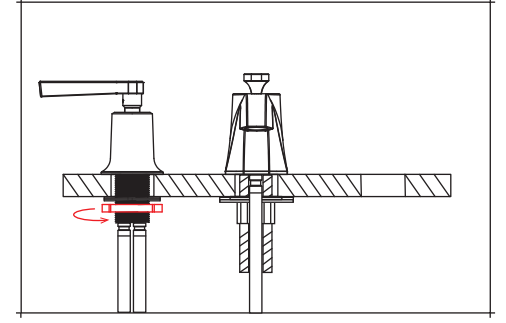


5.  
Next, unscrew the brass flange nut from the handle and put to one side. Then take your flexi inlet hose and screw the male end into the base of the valve marked 'IN'. Take your second flexi hose and screw the male end into the base of the valve marked 'OUT'. Then feed the handle through the hole in the basin.

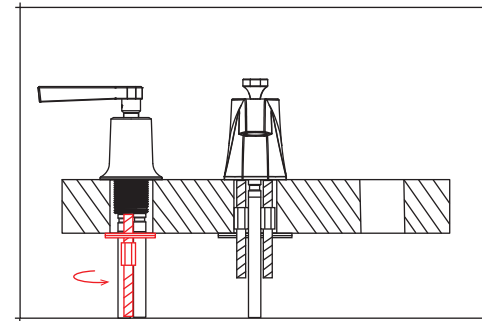
2.  
Secure the tap body to the basin using the included fixings. If both screw threads do not fit through the tap hole, remove one of them and use only one.



6.  
Depending on the thickness of your basin, you will either use the brass flange nut to secure the handle in place or the longer screw thread sticking out of the bottom. If your basin is not too thick you can remove the long thread, securing plates and brass nut. Tighten the brass flange nut.

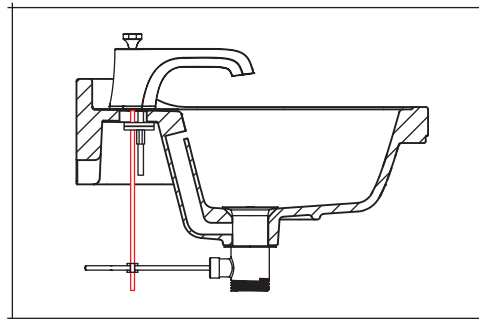


3.  
Screw the waste to the waste housing through the basin by threading the top half into the bottom half.  
NOTE: Only the pop-up waste is included with the tap.

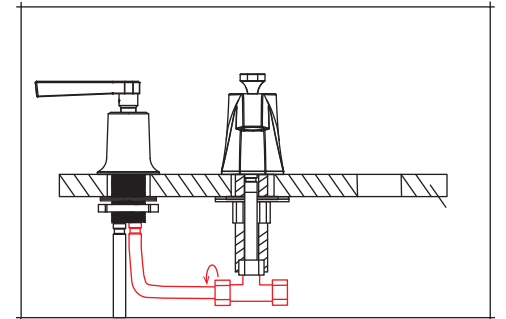


7.  
If you have a thicker basin, feed the thread and the two plates through the basin hole. Then tighten the brass nut with a basin wrench.

4.  
Feed the pop-up rod through the hole in the tap body. Assemble the pop-up waste by connecting the rods.



8.  
Connect the other end of the flexi tube coming out of the 'OUT' hole of the handle to the brass tee junction. Tighten securely.



NOTE: Hold the flexi tube still so it doesn't come undone at the other end.