

AFTERCARE INSTRUCTIONS

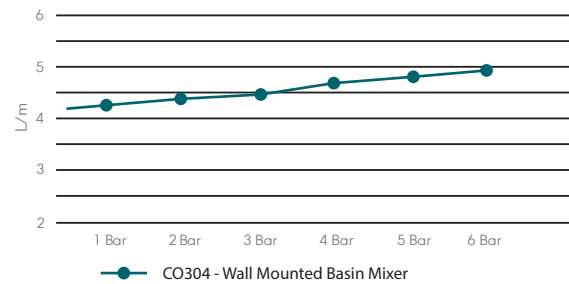
These products have a high quality, durable finish which in order to preserve, should be treated with care.

Clean with warm soapy water and a soft damp cloth only.

Cleaning products, including non-scratch ones could damage the finish.

Maintain your brassware by wiping dry after use, removing water drops and soap deposits

Water Flow Rate:



CUSTOMER SERVICE

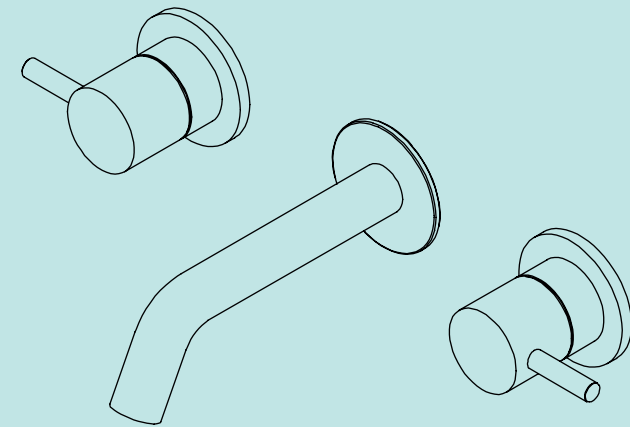
t: +44(0)208 686 5100
e: technical@saneux.com

Iain Stewart Centre, Beehive
Ring Road, Gatwick, RH6 0PB

www.saneux.com

COS

INSTALLATION INSTRUCTIONS



CO304 - CO304S - CO304L
Classic / Knurled / Fluted

3 Tap Hole Wall Mounted Basin Mixer

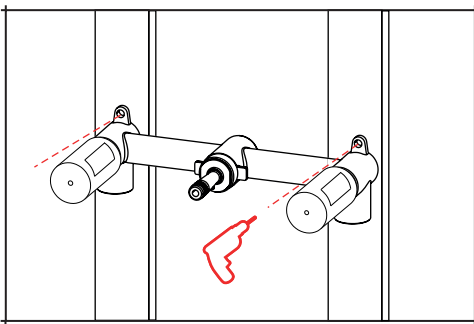
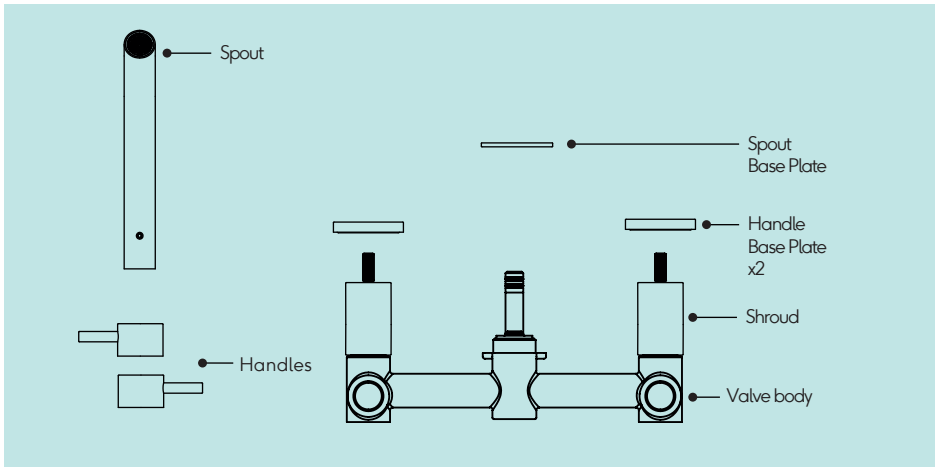
BEFORE YOU BEGIN

Be sure to flush the pipes of any possible debris before connecting the tap to the water supply as this could cause damage to the tap.

Ensure all components are present prior to installation.

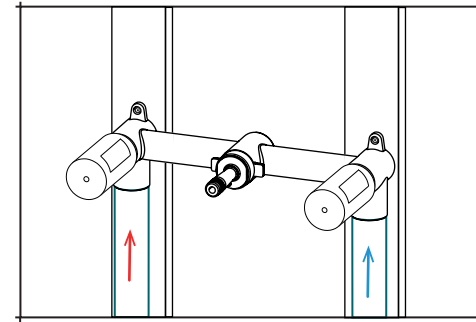
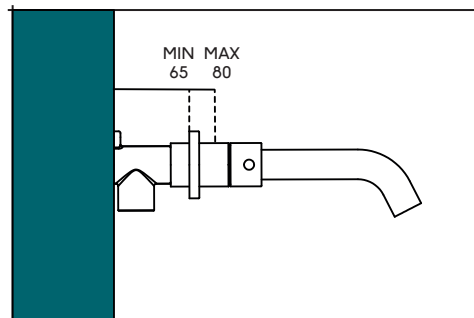
Before installation ensure the water mains are off.

COMPONENTS



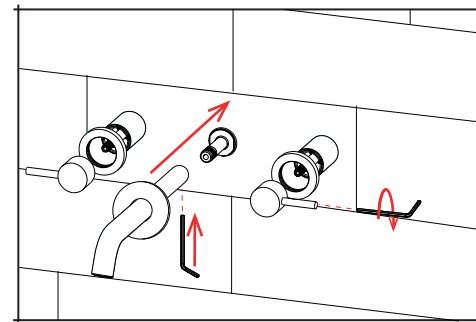
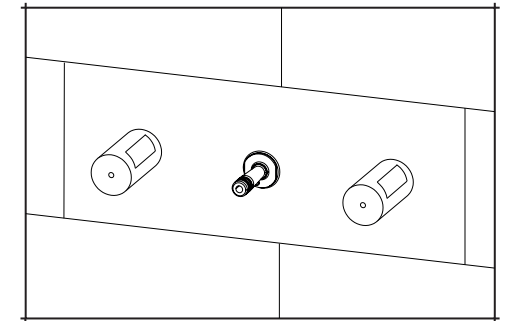
1. Fix the valve to the wall. Ensure the valve is level and attached securely.

2. Ensure the valve is set back from the finished front face of the wall by the correct depth of min 65mm, max of 80 (Allow for tiles, adhesive, etc).



3. Make the connections to the mains. Ensure the hot & cold inlet pipes are the correct way round.

4. Finish the wall around the valve. Drill the holes between 36 & 45mm diameter in the finished surface to expose the valve shrouds and cartridges.



5. Remove the handles protective covers, and attach the handles to the valve, making sure the cartridges and handles are in the right orientation and secure with the grub screws. Push the spout onto the valve, making sure to angle the spout directly downward and tighten with the Allen key provided.

6. Apply silicone sealant to seal the backplates to the finished surface.

