

## AFTERCARE INSTRUCTIONS

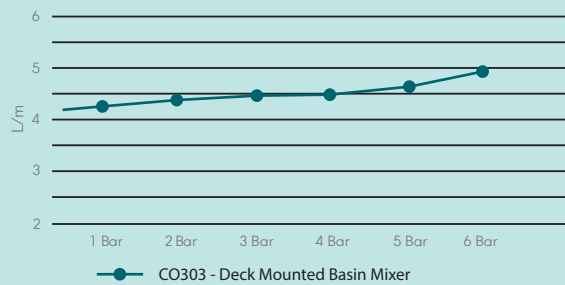
These products have a high quality, durable finish which in order to preserve, should be treated with care.

Clean with warm soapy water and a soft damp cloth only.

Cleaning products, including non-scratch ones could damage the finish.

Maintain your brassware by wiping dry after use, removing water drops and soap deposits

Water Flow Rate:



## CUSTOMER SERVICE

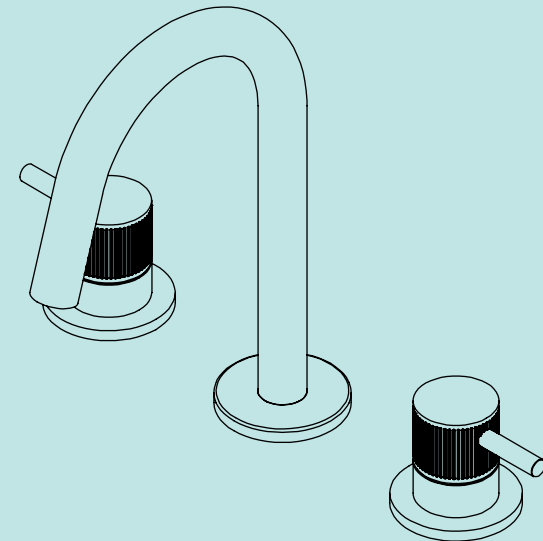
t: +44(0)208 686 5100  
e: [technical@saneux.com](mailto:technical@saneux.com)

Iain Stewart Centre, Beehive  
Ring Road, Gatwick, RH6 0PB

[www.saneux.com](http://www.saneux.com)

# COS

## INSTALLATION INSTRUCTIONS



CO303  
Classic / Knurled / Fluted

3 Tap Hole Deck Mounted Basin Mixer

saneux

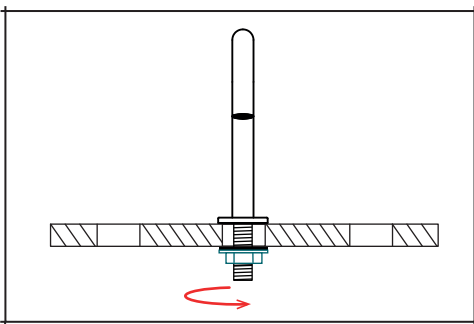
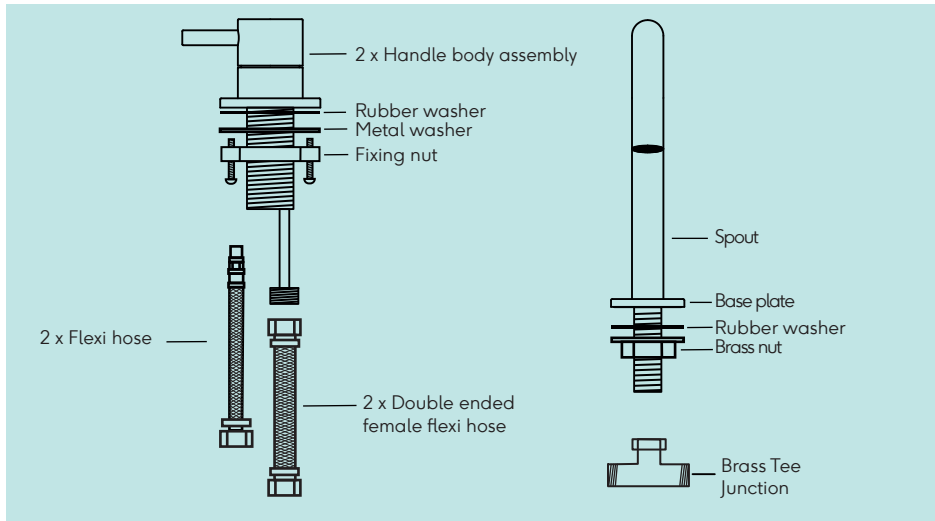
## BEFORE YOU BEGIN

Be sure to flush the pipes of any possible debris before connecting the tap to the water supply as this could cause damage to the tap.

Ensure all components are present prior to installation.

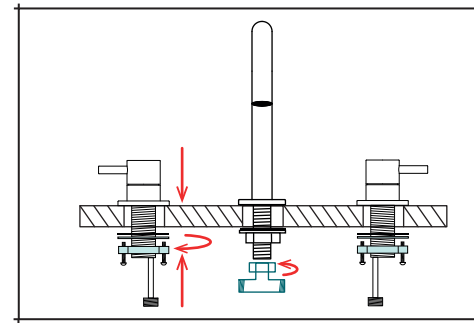
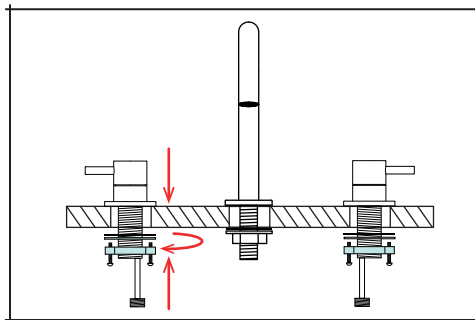
Before installation ensure the water mains are off.

COMPONENTS



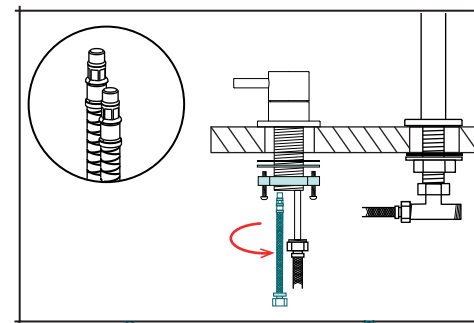
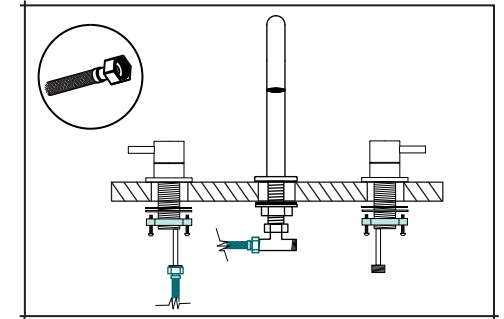
1. **INSTALLING THE SPOUT.**  
Fix the spout onto the basin or countertop by tightening the brass nut from underneath.

2. **INSTALLING THE HANDLES.**  
Using the grub screw within the handle, fix the handle to the valve in the OFF position.  
Hot = Turn Anti-Clockwise  
Cold = Turn Clockwise  
Fit the handles to the basin/countertop by tightening the brass nut from below to secure in place.



3. Screw the brass tee junction to the thread protruding from the spout.

4. Connect the flexi hoses to the brass tee junction and handle bodies.



5. Screw the flexi pipes onto the bottom of the handle body and connect to the mains.

6. Turn the water on to test the installation has been carried out correctly. Ensure all connections are tightened securely.

