

## AFTERCARE INSTRUCTIONS

This product has a durable electroplated finish. However, it should still be treated with care to ensure its longevity.

Do not scrub or use abrasive cleaning materials. Clean regularly with a damp cloth and soapy water only.

Do not use bleach or cleaners containing bleach.

## FLOWRATES

### INPUT

CO100 = 35 L/min at 3Bar  
TO100 = 24.4 L/min at 3 Bar  
With Restrictor = 15 L/min at 3 Bar

### OUTPUT

CO100 = 21 L/min  
TO100 = 21.6 L/min

## CUSTOMER SERVICE

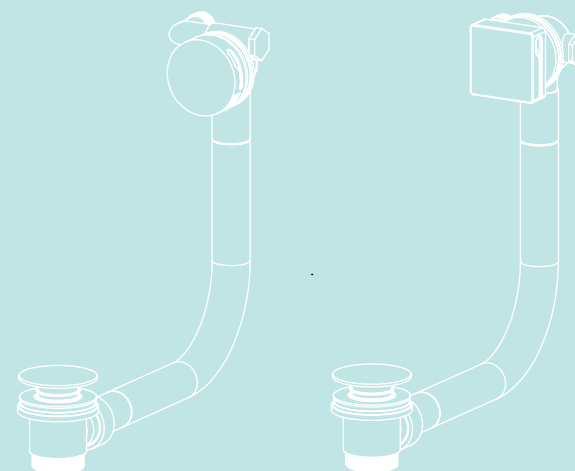
t: +44(0)208 686 5100  
e: [technical@saneux.com](mailto:technical@saneux.com)

4 Imperial Way  
Croydon CR0 4RR

[www.saneux.com](http://www.saneux.com)

# Bath Filler

## INSTALLATION INSTRUCTIONS

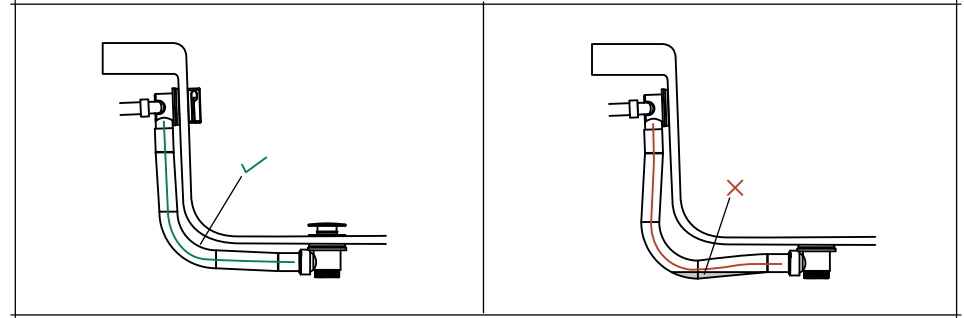
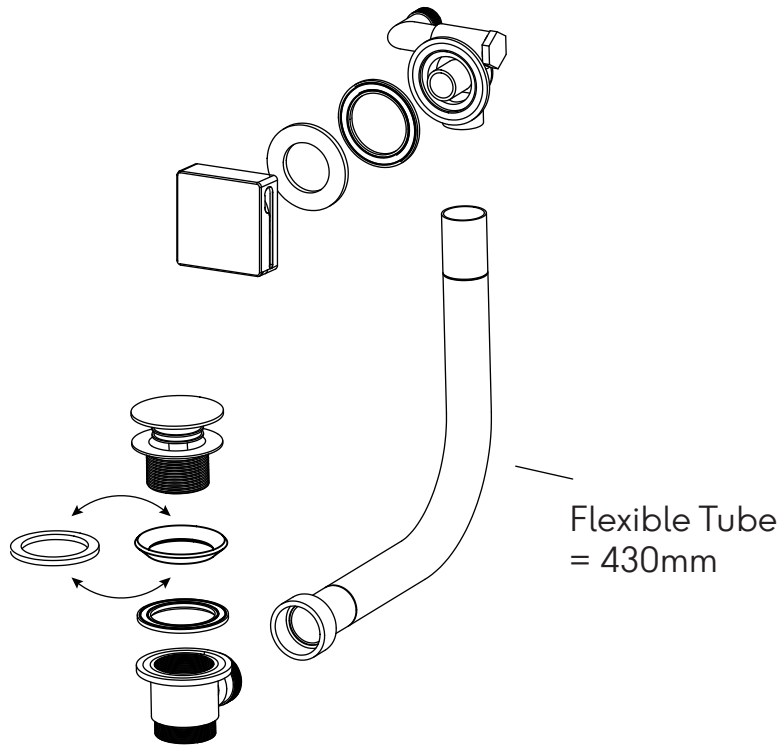


CO100 / TO100

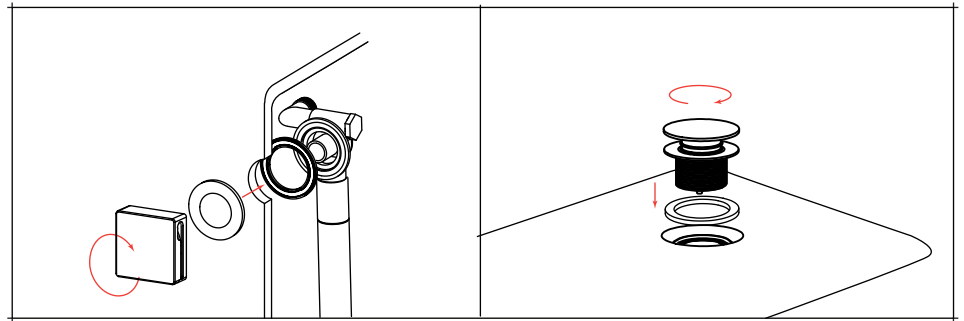
saneux

Make sure all components are present before installation and take care when uninstalling previous product.

If installing with our SANSTEEL baths, you will need to swap the chamfered rubber washer with the flat washer (as shown in below illustration).



Position the hose and body behind the bath. Make sure that there is no 'U-bend' in the pipe as that will greatly reduce the output flowrate as water will get trapped.



Attach the filler head and waste to the new body.

Optional

To include a flow restrictor, insert the 15L/min flow restrictor in between the bath filler and water pipe when finalising the installation.

