

## AFTERCARE INSTRUCTIONS

Excessive exposure to water will deteriorate the furniture. Wipe away any water splashes or condensation after use.

All bathrooms should be well ventilated, if needed, with a suitable extractor fan.

Clean with a soft damp cloth only.

Use a wax free polish if one must be used.

All electrical components are IP44 rated.

Do not allow water to come into contact with the electrical components.

## CUSTOMER SERVICE

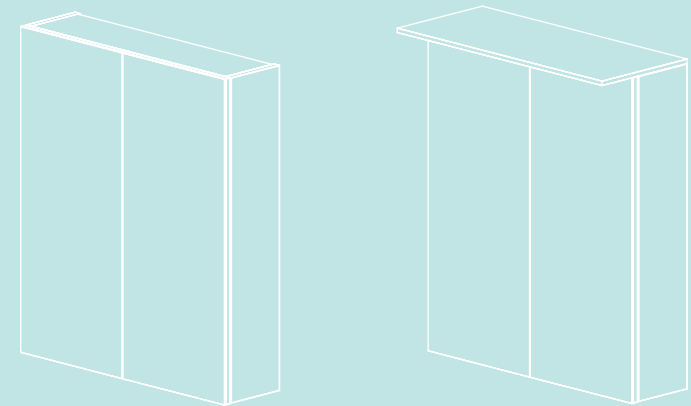
t: +44(0)208 686 5100  
e: [technical@saneux.com](mailto:technical@saneux.com)

4 Imperial Way  
Croydon CR0 4RR

[www.saneux.com](http://www.saneux.com)

# AUSTEN

## INSTALLATION INSTRUCTIONS



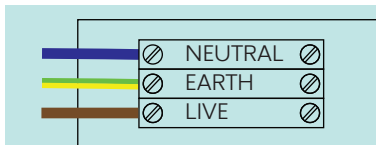
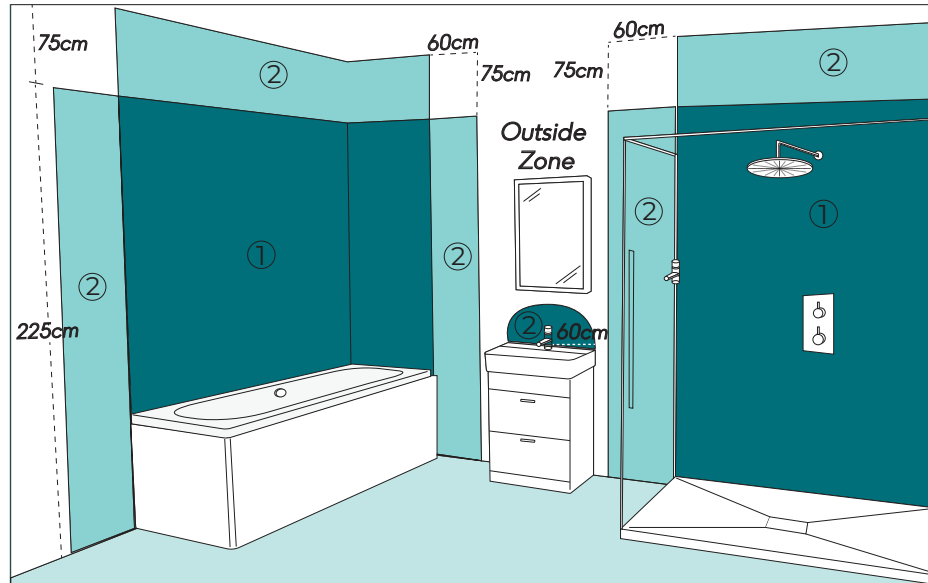
AU060C - AU050LC

saneux

NOTE: Handle with care! When unpacked, never place upright on a hard surface. Always lay on soft surface.

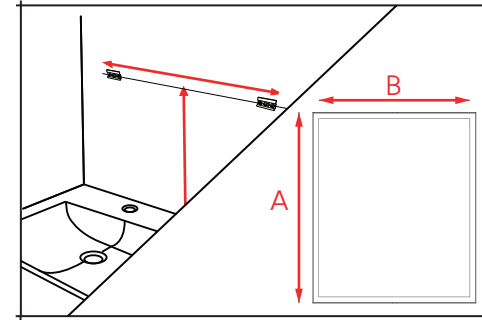
**IMPORTANT**

- Ensure the electrical supply is switched off at the mains before installation and maintenance.
- The fixings supplied are for solid walls. For hollow or stud walls use specialist fixings.
- Before drilling ensure that there are no hidden cables or pipes in the wall.
- This product has special protection against the ingress of moisture and is manufactured to meet IP44 standards. This product is suitable for use in Zone 2 and outside Zones of a bathroom. See diagram. It is recommended that the mirror is installed by a qualified electrician and is wired according to IET wiring regulations.



- The Earth supply is Green and Yellow.
- The Neutral supply can be Blue or Black.
- The Live supply cable can be Red or Brown.

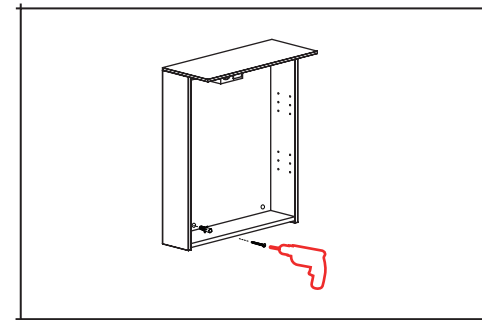
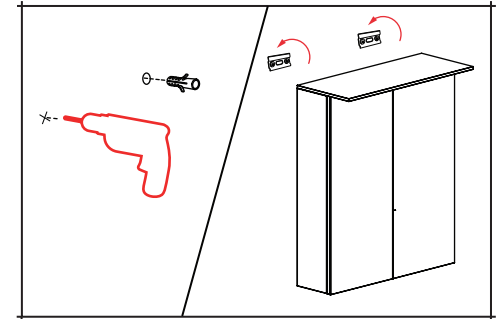
Check that you have correctly identified the wires, the connections are tight and that no loose strands have been left out of the connection block.



**Cabinet Installation.**

Measure distance A and B and mark the wall. Note the location of the hooks from the top of the cabinet and take this away from distance A. Allow extra space under the cabinet to suit the height of the tap to be installed.

Drill the required holes and insert the wall plugs. Using the fixings provided install the wall brackets and hang the cabinet on the wall brackets.



Mark the lower two fixing holes through the inside of the cabinet. Remove the cabinet, drill the holes and insert the wall plugs. Hang the cabinet again and secure to the wall.

Insert the shelf supports in the desired positions starting with the top shelf and place the shelves in. Fix the light unit to the top of the cabinet using the fixings provided.

