

AFTERCARE INSTRUCTIONS

Clean this product regularly to avoid formation of damaging lime scale deposits.

When using chlorine-based cleaners to clean the pan bowl, ensure that these do not come into contact with the seat. Keep the seat and cover in an upright position during cleaning, to avoid discolouration of surfaces or rusting of metal parts.

CUSTOMER SERVICE

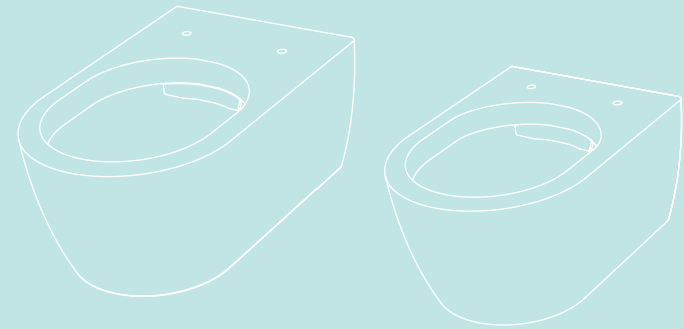
t: +44(0)208 686 5100
e: technical@saneux.com

Iain Stewart Centre, Beehive
Ring Road, Gatwick, RH6 0PB

www.saneux.com

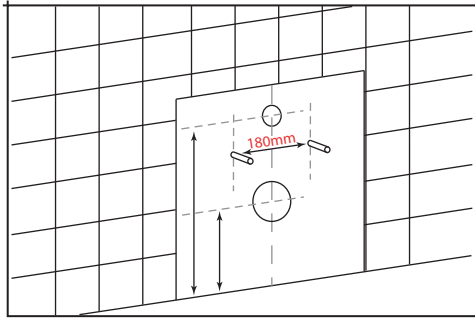
AIR

INSTALLATION INSTRUCTIONS

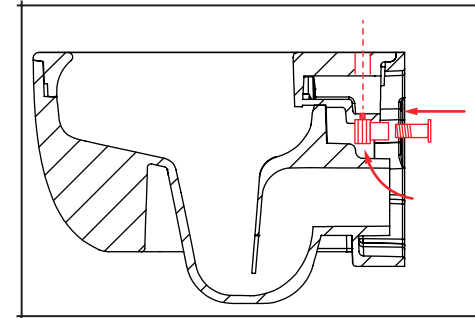


AIRWHO1 - AIRWHO2

saneux

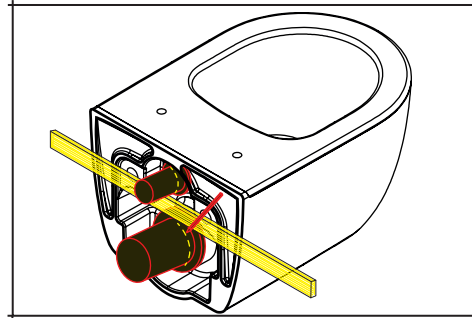


1. Make sure the water supply is switched off before installing the new toilet. Install the concealed cistern system in the wall, according to the cistern's installation instructions. Measure the pan and set the spacing of carrier studs, tightening the nuts.

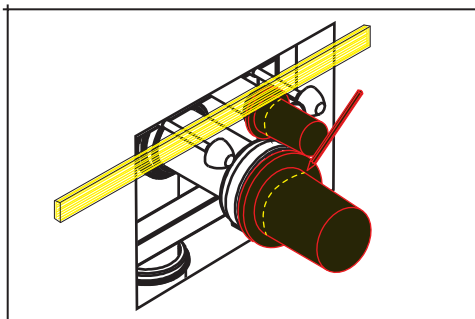
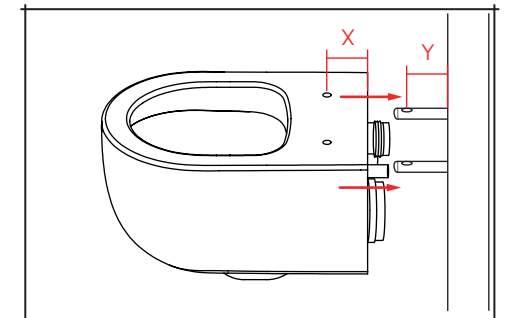


5. Installing the plastic pan fixings. Firstly locate the round fixing with grub screw on the inside of the pan. align the grub screw with the toilet seat fixing holes. Next push the threaded rod through the back of the pan and tighten both items together using the plastic key provided.

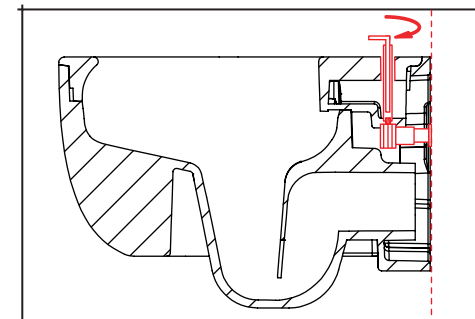
2. Place the inlet and outlet pipes on the bowl and mark the pipes where they extend past the edges of the bowl.



6. Determine the distance required for the rods on the cistern so that the pan is flush with the back surface. (Measure distance 'X' and translate to 'Y'). Place the new toilet on the wall through the carrier holes. Apply soapy water to the inlet and outlet pipes to help with the connection to the cistern.

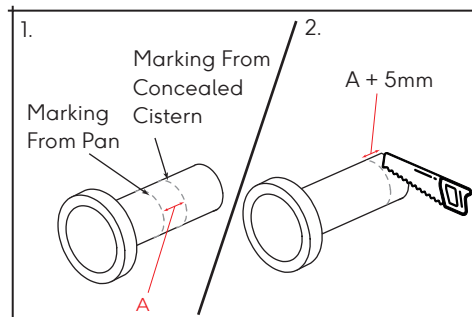


3. Then place the inlet and outlet pipes completely onto the cistern unit and mark them where they emerge from the unit.



7. Use the provided allen key to tighten the fixings, making sure the toilet is level. Secure the grub screws as tightly as possible.

4. Measure the space between the marks on the pipes (distance A), carry this measurement over to the end of the pipes, adding 5mm and then cut off the end. Then use a file to smooth the pipe ends, before securing the pipes into the cistern unit.



8. Having finished all plumbing connections, test for any leaks. **Apply a silicone sealant** between the pan and the back surface. Install the toilet seat onto the pan.

