

## AFTERCARE INSTRUCTIONS

Excessive exposure to water will deteriorate the furniture. Wipe away any water splashes or condensation after use.

All bathrooms should be well ventilated, if needed, with a suitable extractor fan.

Clean with a soft damp cloth only.

Use a wax free polish if one must be used.

For removal of lime scale deposits use a suitable cleaner.

## CUSTOMER SERVICE

t: +44(0)208 686 5100

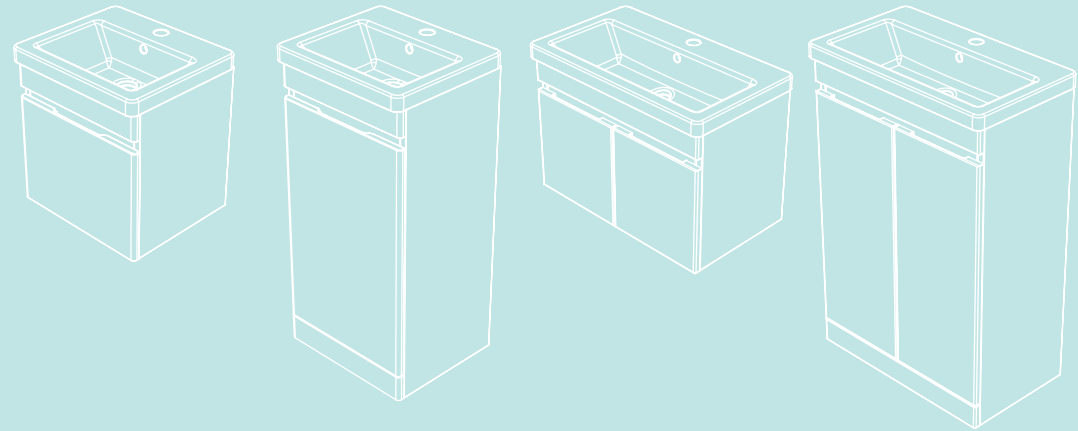
e: [technical@saneux.com](mailto:technical@saneux.com)

Iain Stewart Centre, Beehive  
Ring Road, Gatwick, RH6 0PB

[www.saneux.com](http://www.saneux.com)

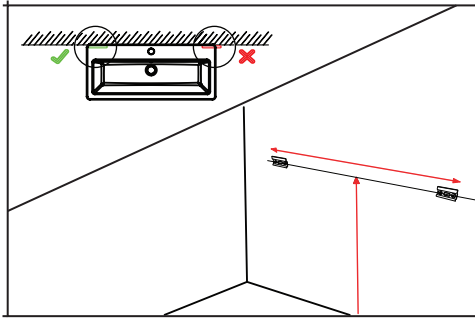
# AIR

## INSTALLATION INSTRUCTIONS



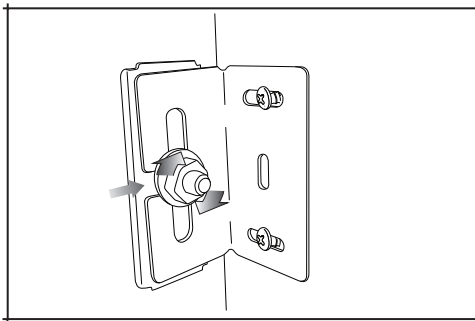
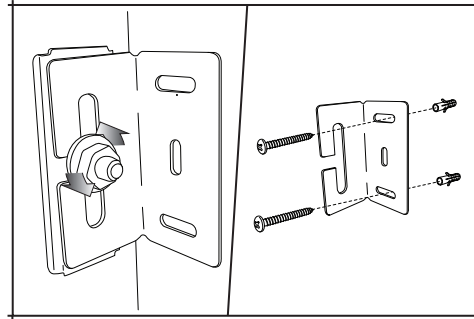
AIRW40 - AIRF40  
AIRW60 - AIRF60  
AIRW80

saneux



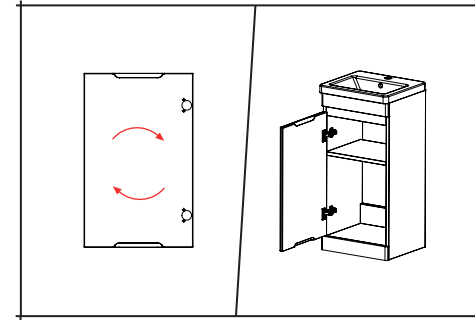
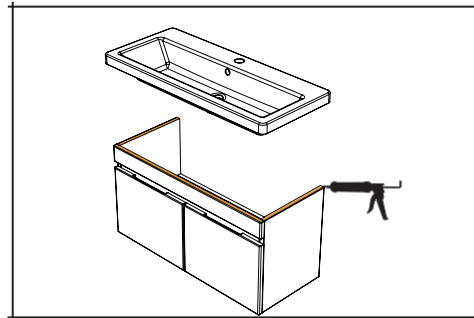
1. Mark the location of both mounting plates, ensuring that they are positioned inside the sidewalls of the unit. The recommended height for the unit including basin is 800-850mm.

2. Loosen the mounting plates which come pre-fixed to the unit. For each mounting plate drill two holes in the marked positions using a 8mm drill bit.



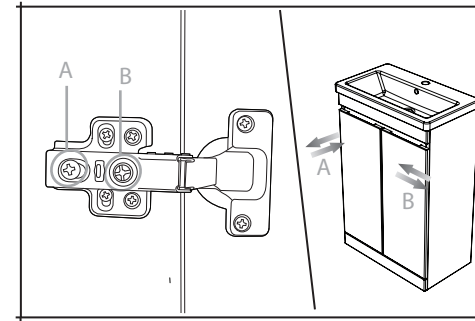
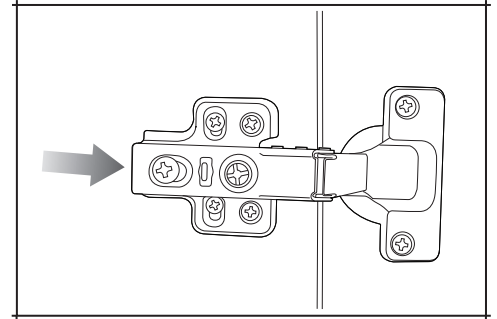
3. Locate the plates on the inside walls of the unit onto the wall mounting plates. Secure the unit to the wall by tightening the screw. Use a spirit level to ensure the unit is balanced horizontally.

4. Once the wall mounted unit has been secured to the wall, use a silicone sealant to mount the basin to the unit.



5. One door units will arrive with the door (with the hinges attached) disassembled from the carcass of the unit. Decide whether you want Right or Left hand opening and orientate the door accordingly. Then secure the hinges to the carcass through the predrilled pilot holes.

6. To remove the doors simply open the door and press the button at the back of both hinges.



7. One and Two door units can be adjusted by the screws on the door hinges. Turn screw **A** to adjust the depth of the door. Turn screw **B** to adjust the width of the door.