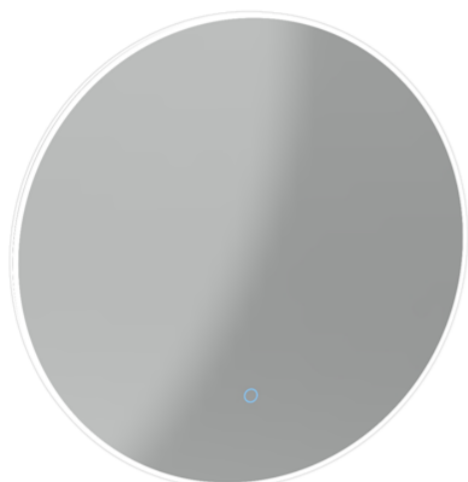


OSKA Ø50CM ELECTRIC MIRROR V2



Product Code: OS050M2

PRODUCT INFORMATION

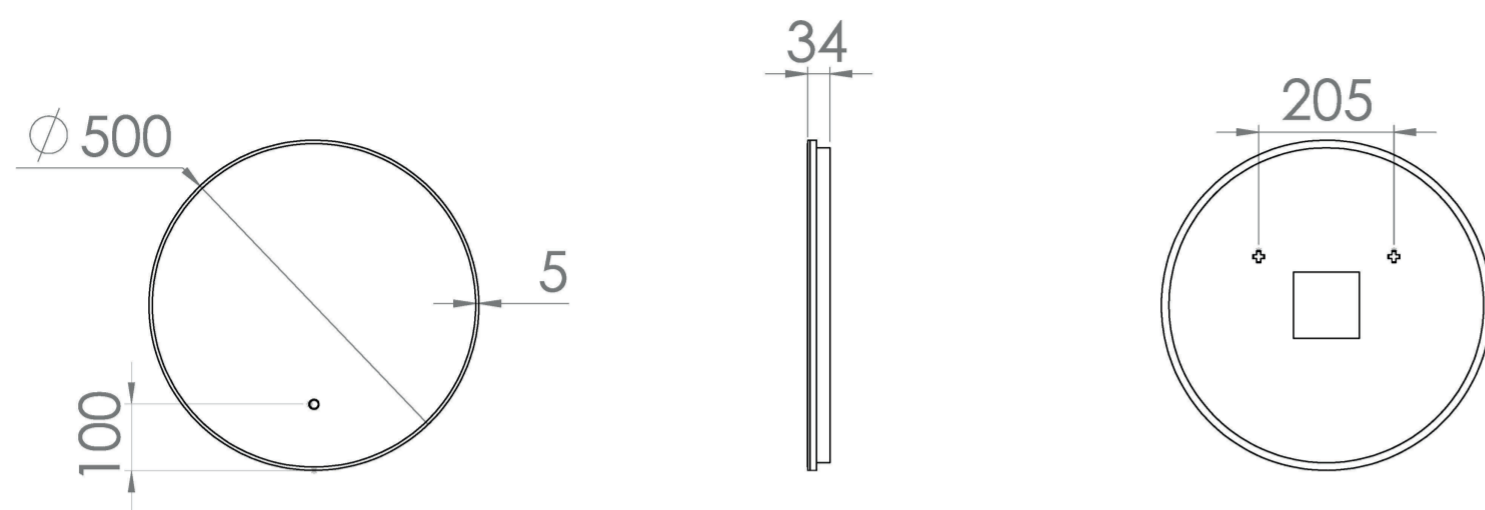
Finish:	Aluminium
Height:	500mm
Width:	500mm
Depth:	34mm
Material	Aluminium
Weight	5.5kg
LED Wattage (W)	15W
Lumens (LM)	1650LM
Light Temp (K)	3000-6000K
Switch	Touch Sensor
IP Rating	IP44
Orientation	Portrait & Landscape
Energy Rating	A+
Demister Pad	Yes
Guarantee	5 years
Other Features	Ambient lighting diffuser

DESCRIPTION

The OSKA range offers both beauty and practicality. The soft ambient back glow is harmonised together with clean forward facing task lighting to enhance your bathroom experience.

The OSKA 50cm mirror has various integrated features such as a colour changing perimeter LED light, a touch sensor and a demister pad, allowing you to tailor our product to your bathroom whether it is traditional or modern.

TECHNICAL DRAWING



Saneux reserves the right to alter the specifications and product range without prior notice. Dimensions are given as a guide only. Dimensions should not be used for surrounding furniture, fixtures and fittings until the product is on site.

<https://saneux.com/products/oska-o50cm-electric-mirror-v2>