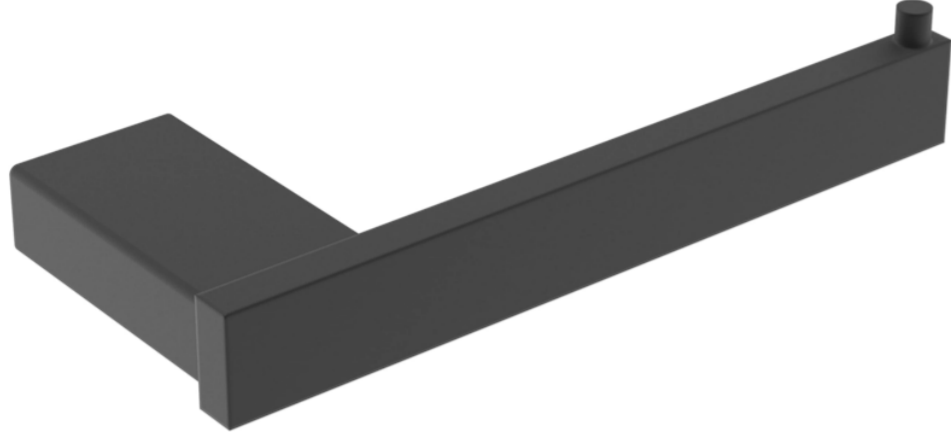


TOOGA TOILET ROLL HOLDER - MATTE BLACK



Product Code: TO260.MB

PRODUCT INFORMATION

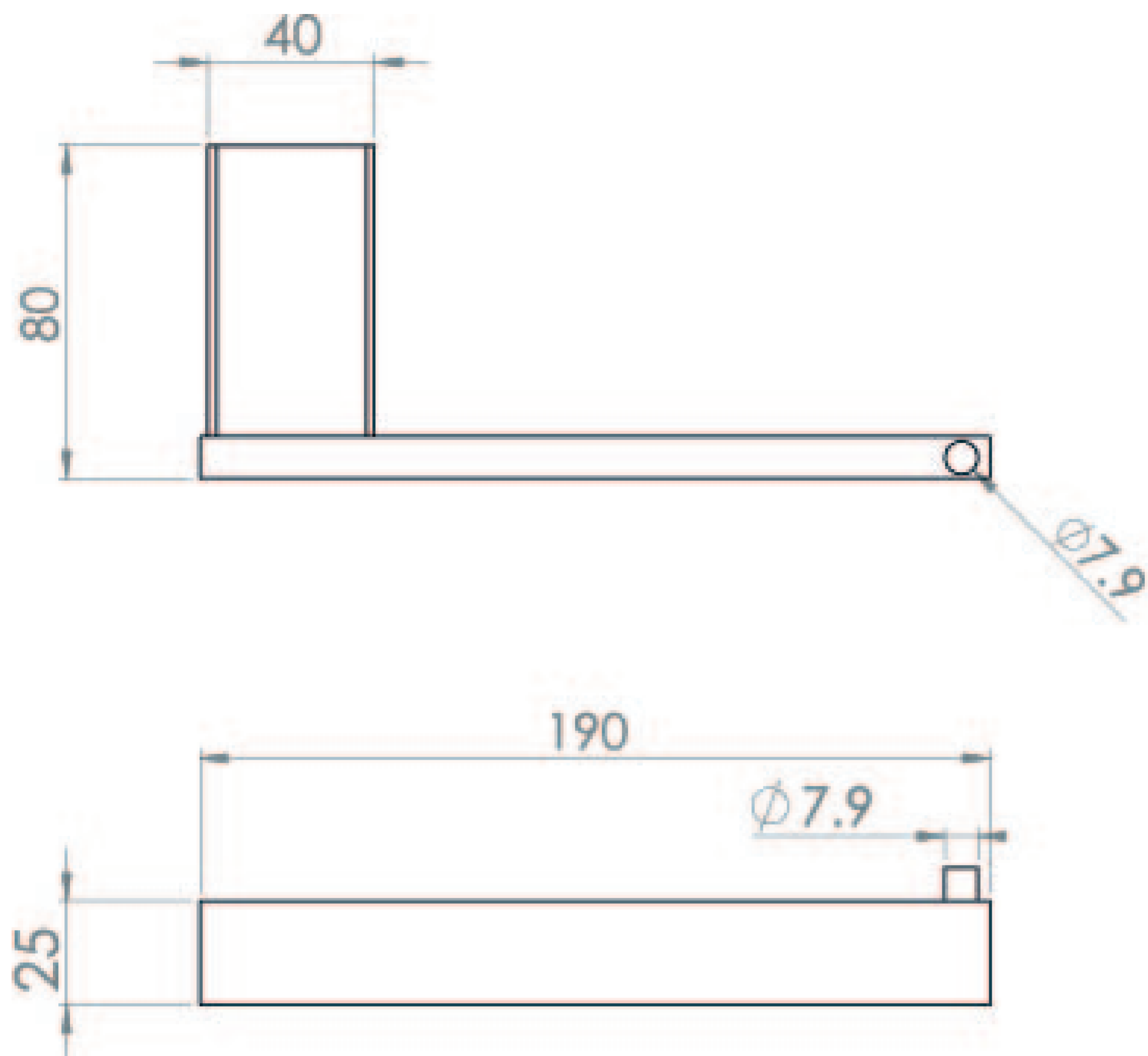
| | |
|-------------------|-----------------------------|
| Finish: | Matte Black (Electroplated) |
| Height: | 25mm |
| Width: | 190mm |
| Depth: | 80mm |
| Material: | Brass |
| Weight: | 0.3kg |
| Guarantee: | 5 years |

DESCRIPTION

The TOOGA brassware collection features products that will be the focal point of any bathroom with its sharp, sleek lines. The accessories will be the perfect finishing touches needed to complete your bathroom look.

This toilet paper holder in matte black has a clean and simple design, and is to be installed with it facing right as the retention pin at the top prevents the toilet paper from sliding off.

TECHNICAL DRAWING



Saneux reserves the right to alter the specifications and product range without prior notice. Dimensions are given as a guide only. Dimensions should not be used for surrounding furniture, fixtures and fittings until the product is on site.

<https://saneux.com/products/tooga-toilet-roll-holder-matte-black>