

## HYDE 50X46CM WASHBASIN OTH



**Product Code:** HY050B.OTH

### PRODUCT INFORMATION

<b>Finish:</b>	Gloss White
<b>Height:</b>	160mm
<b>Width:</b>	500mm
<b>Depth:</b>	460mm
<b>Material</b>	Ceramic
<b>Weight</b>	12.3kg
<b>Overflow(s)</b>	Yes
<b>Overflow Position</b>	Centre
<b>Overflow Diameter</b>	22mm
<b>Compatible Overflows</b>	OC01, OC02, OC03
<b>Tap Holes</b>	0 Tap Hole
<b>Recommended Waste Required</b>	Slotted waste
<b>Furniture Required For Installation?</b>	Optional
<b>Guarantee</b>	Lifetime

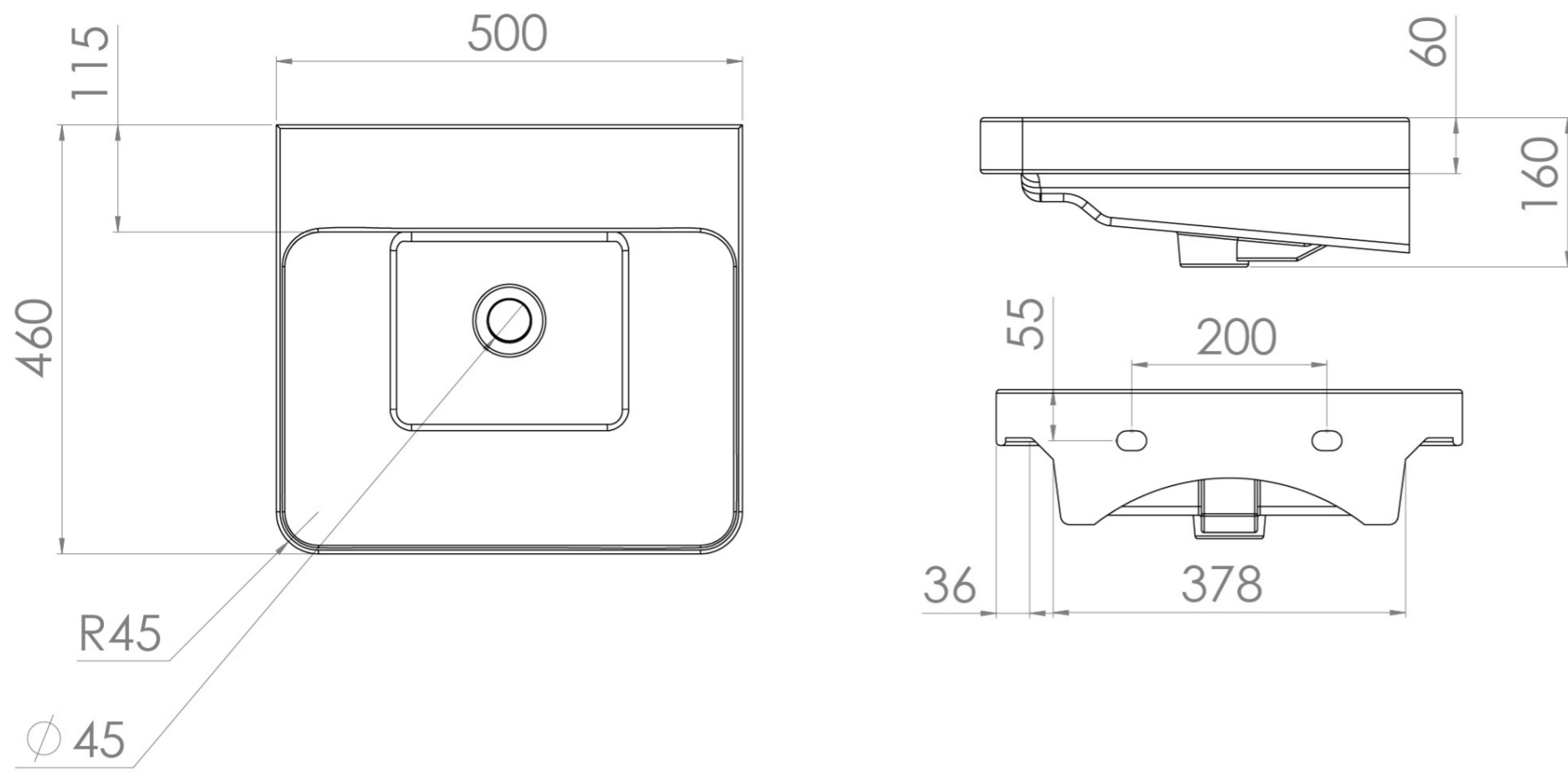
### DESCRIPTION

The HYDE collection features curved short projection washbasins and furniture units, but for those who have the space to spare, there is also the option for much deeper basin & unit combinations.

This HYDE 50x46cm no tap hole washbasin has a deeper bowl that is great for family bathrooms and communal areas, and pairs with the HYDE 50cm 1 or 2 drawer wall mounted units.

\*With an overflow

# TECHNICAL DRAWING



Saneux reserves the right to alter the specifications and product range without prior notice. Dimensions are given as a guide only. Dimensions should not be used for surrounding furniture, fixtures and fittings until the product is on site.

<https://saneux.com/products/hyde-50x46cm-washbasin-0th>