

EDEN BASIN MIXER - BRUSHED BRASS



Product Code: ED001.BB

PRODUCT INFORMATION

Width:	45mm
Finish:	Brushed Brass (PVD)
Height:	218mm
Depth:	121mm
Material:	Brass
Product Type:	Deck Mounted Basin Mixer Tap
Weight	1.12kg
Compatible Aerator(s)	Cache JR
Waste	Not included, purchase separately
Guarantee	5 years
Spout Projection (mm)	121mm
Material	Brass

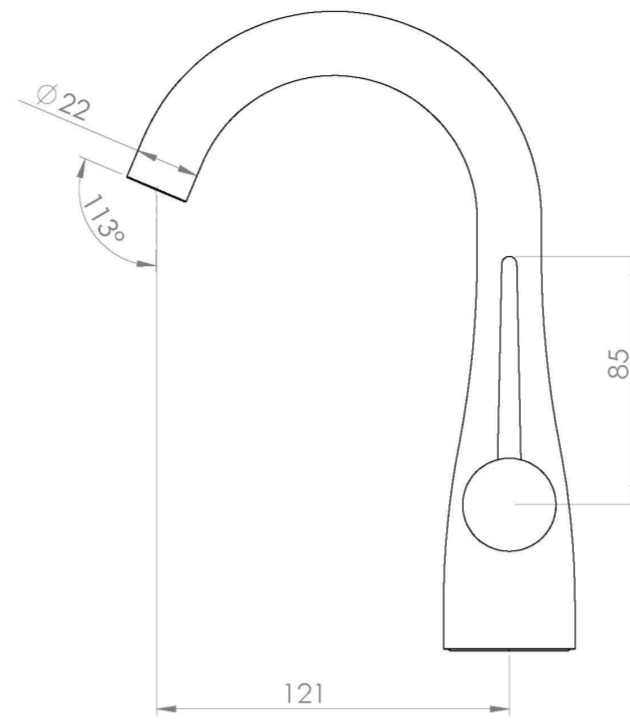
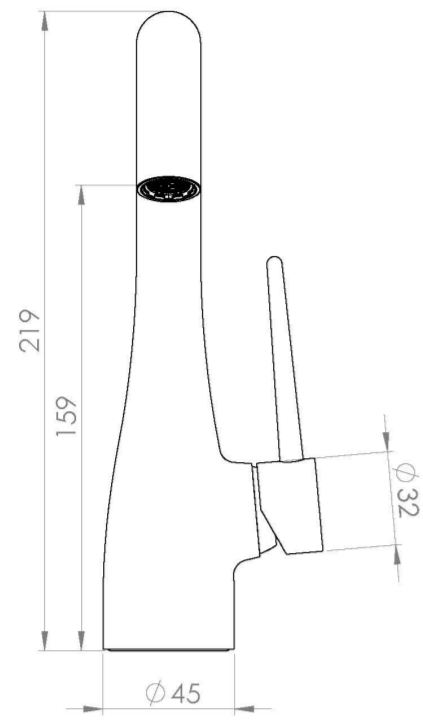
DESCRIPTION

Beautifully curved and organic, the EDEN brassware is a truly unique brassware range.

The single lever basin mixer in brushed brass has a tall and elegant swan-like neck and this is closely replicated through the lever handle to create an all-encompassing sleek and sophisticated look. It also has a swivel spout so that you can change the direction of where the water hits the basin.

The brushed brass finish is PVD, meaning it is extremely hardwearing and easy to clean.

Waste to be purchased separately.



- 0.2 Bar - Flowrate: 2.18 l/min
- 0.5 Bar - Flowrate: 3.69 l/min
- 1 Bar - Flowrate: 5.29 l/min
- 2 Bar - Flowrate: 7.58 l/min
- 3 Bar - Flowrate: 9.47 l/min
- 5 Bar - Flowrate: 12.42 l/min

Saneux reserves the right to alter the specifications and product range without prior notice. Dimensions are given as a guide only. Dimensions should not be used for surrounding furniture, fixtures and fittings until the product is on site.

<https://saneux.com/products/eden-basin-mixer-brushed-brass>