

HYDE 70X37CM WASHBASIN 1TH



Product Code: HY070B

PRODUCT INFORMATION

| | |
|---|--------------------------|
| Finish: | Gloss White |
| Height: | 160mm |
| Width: | 700mm |
| Depth: | 375mm |
| Material | Ceramic |
| Weight | 15.45kg |
| Overflow(s) | Yes |
| Overflow Position | Off Centre (to the left) |
| Overflow Diameter | 22mm |
| Compatible Overflows | OC01, OC02, OC03 |
| Tap Holes | 1 Tap Hole |
| Tap Hole Position | Centre |
| Recommended Waste Required | Slotted waste |
| Furniture Required For Installation? | Optional |
| Guarantee | Lifetime |

DESCRIPTION

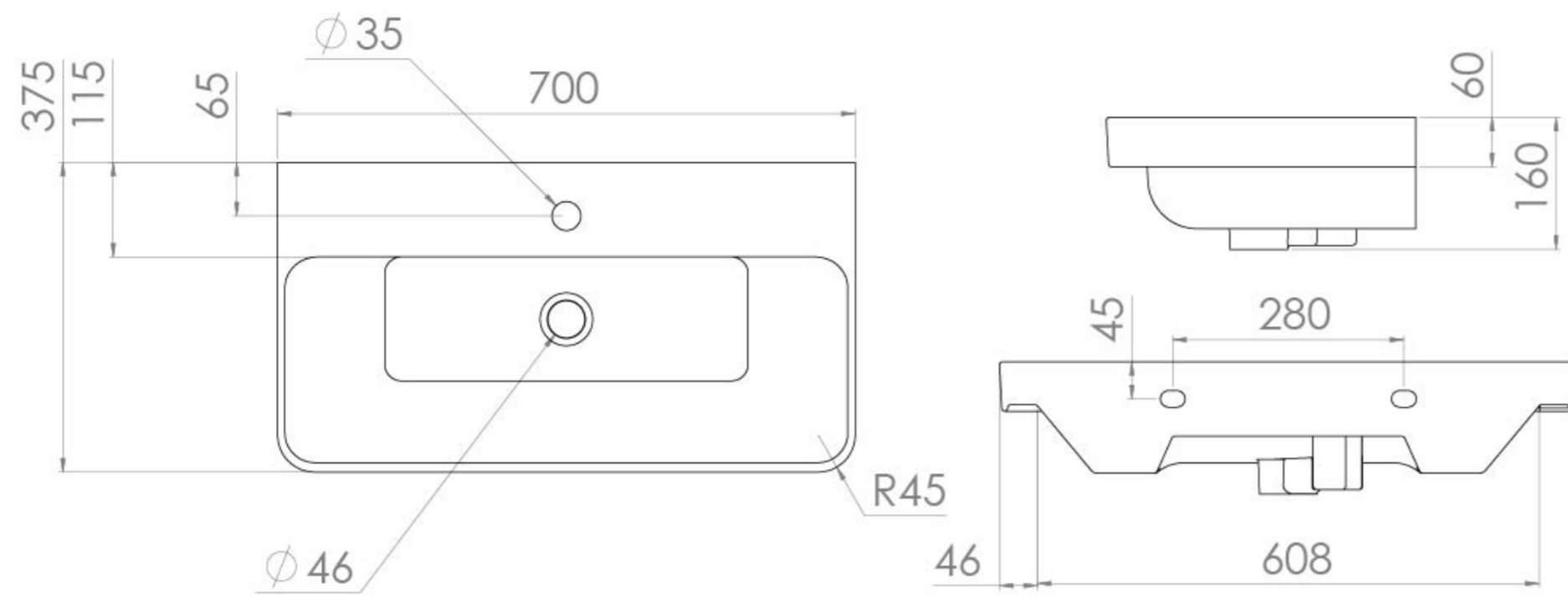
As the name suggests, the HYDE collection features short projection basins and vanity units with a contemporary design, perfect for small and compact spaces.

This HYDE 70x37cm 1 tap hole washbasin has slim edges with a deep bowl, cleverly utilising every inch of ceramic available. Its curved edges give a soft feel to the basin, and its projection of 37cm allows it to fit in narrow bathrooms.

Pairs with the HYDE 70cm 1 & 2 drawer wall mounted units.

*With an overflow

TECHNICAL DRAWING



Saneux reserves the right to alter the specifications and product range without prior notice. Dimensions are given as a guide only. Dimensions should not be used for surrounding furniture, fixtures and fittings until the product is on site.

<https://saneux.com/products/hyde-70x37cm-washbasin-1th>