

HYDE 70X37CM WASHBASIN OTH



Product Code: HY070B.OTH

PRODUCT INFORMATION

Finish:	Gloss White
Height:	160mm
Width:	700mm
Depth:	375mm
Material	Ceramic
Weight	15.45kg
Overflow(s)	Yes
Overflow Position	Off Centre (to the left)
Overflow Diameter	22mm
Compatible Overflows	OC01, OC02, OC03
Tap Holes	0 Tap Hole
Recommended Waste Required	Slotted waste
Furniture Required For Installation?	Optional
Guarantee	Lifetime

DESCRIPTION

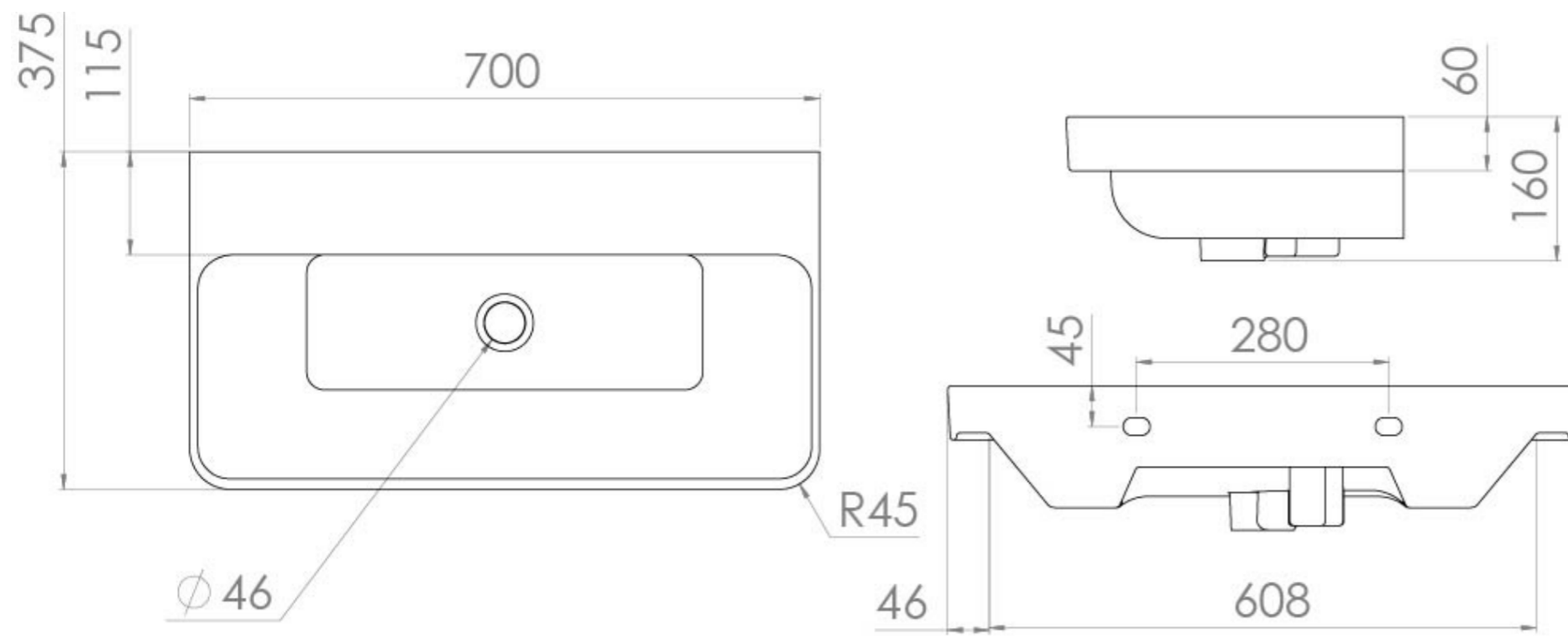
As the name suggests, the HYDE collection features short projection basins and vanity units with a contemporary design, perfect for small and compact spaces.

This HYDE 70x37cm no tap hole washbasin has slim edges with a deep bowl, cleverly utilising every inch of ceramic available. Its curved edges give a soft feel to the basin, and its projection of 37cm allows it to fit in narrow bathrooms.

Pairs with the HYDE 70cm 1 & 2 drawer wall mounted units.

*With an overflow

TECHNICAL DRAWING



Saneux reserves the right to alter the specifications and product range without prior notice. Dimensions are given as a guide only. Dimensions should not be used for surrounding furniture, fixtures and fittings until the product is on site.

<https://saneux.com/products/hyde-70x37cm-washbasin-0th>