

FLUSHE 2.0 110MM STRAIGHT OUTLET FOR FRAMED CISTERNS



Product Code: DR002

PRODUCT INFORMATION

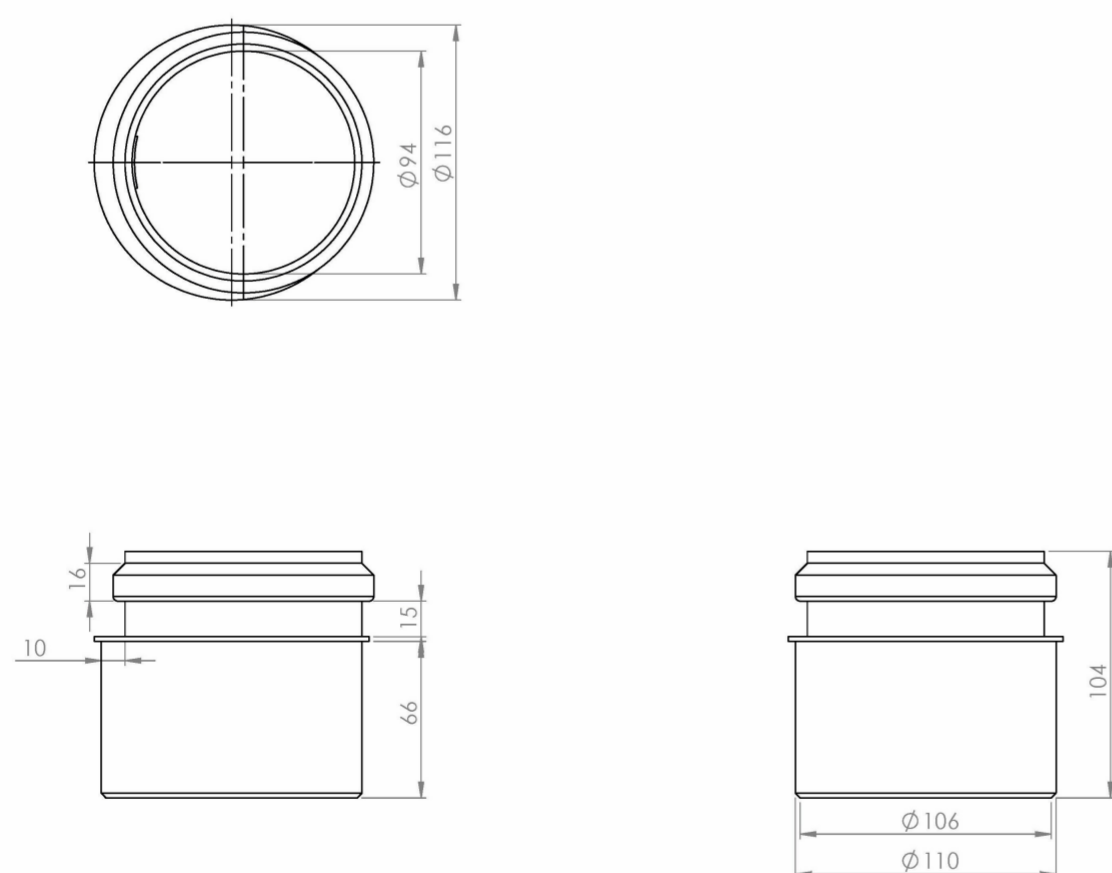
Finish:	Matte Black
Height:	116mm
Width:	116mm
Depth:	104mm
Material:	Plastic
Weight:	0.5kg

DESCRIPTION

FLUSHE 2.0 is our collection of framed and concealed cisterns, flush plates, and flush buttons.

Straight outlet for FLUSHE 2.0 framed cisterns
110mm

TECHNICAL DRAWING



Saneux reserves the right to alter the specifications and product range without prior notice. Dimensions are given as a guide only. Dimensions should not be used for surrounding furniture, fixtures and fittings until the product is on site.