

## UNI BACK TO WALL WC PAN - RIMLESS



**Product Code:** 66074

### PRODUCT INFORMATION

<b>Finish:</b>	Gloss White
<b>Height:</b>	435mm
<b>Width:</b>	359mm
<b>Depth:</b>	520mm
<b>Material</b>	Ceramic
<b>Weight</b>	32.5kg
<b>Guarantee</b>	Lifetime
<b>Compatible Toilet Seat(s)</b>	66101, 66102, 500.59
<b>Compatible Cistern(s)</b>	FL2022, FL2024, FL2026, FL2028, HC2036, HC2037, HC2030
<b>Type of Flushing</b>	Rimless technology

### DESCRIPTION

UNI is our collection of modern, handle-less furniture and ceramics to allow you to create a contemporary bathroom set up.

The UNI back to wall pan has a sleek design with its rounded base and fully back to wall look to hide pipework. It also has rimless flush technology, meaning there is no obvious rim around the inside of the pan and instead has a clean look. This also prevents the build up of limescale and bacteria which will ensure your pan is hygienic and easy to clean, which is perfect for busy family bathrooms.

Create a tidy bathroom space and opt for a back to wall pan; you can hide the cistern by having it built into the wall or a WC unit as well as save on floor space.

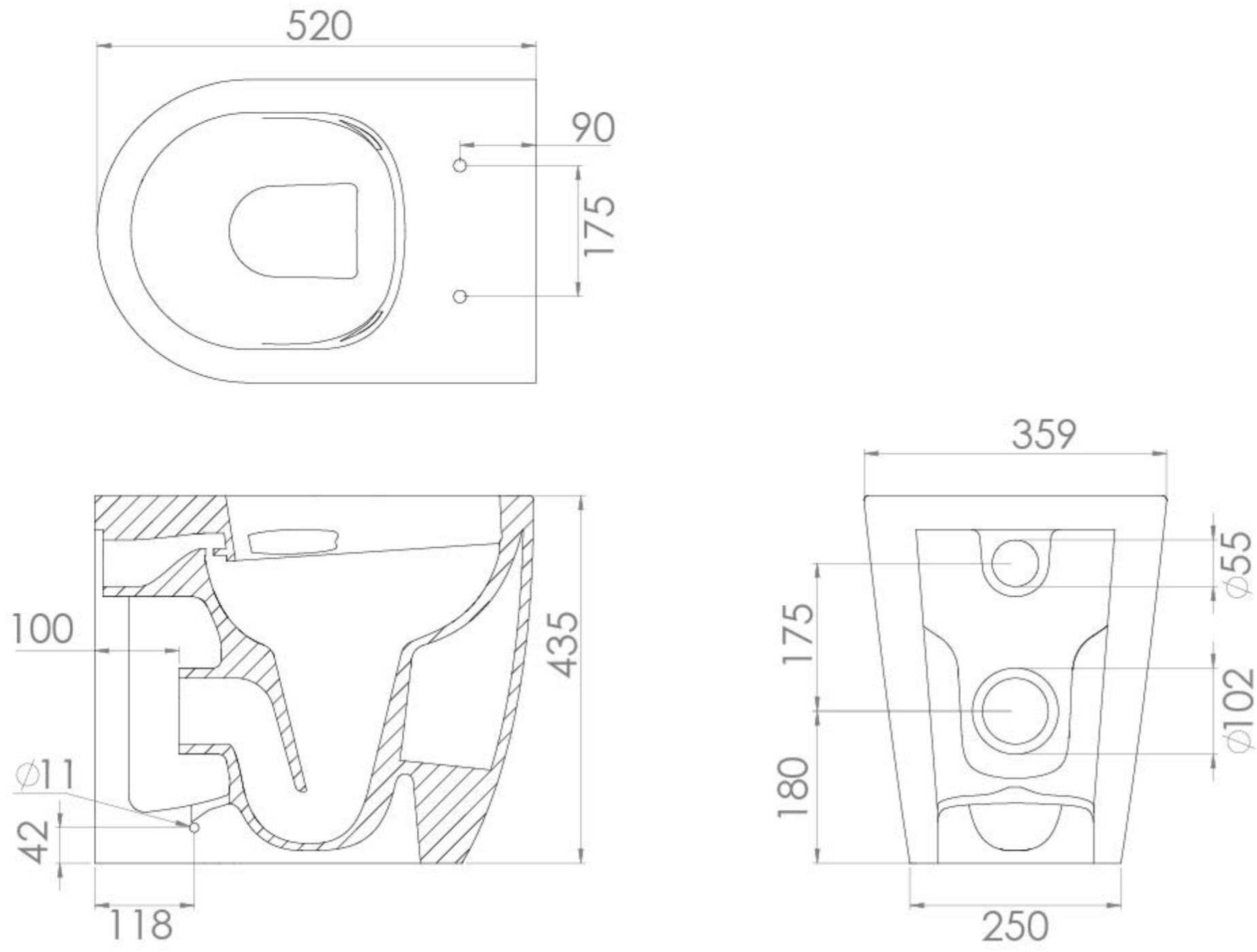
\*Seat sold separately

Compatible seats: 66101, 66102

For optimal performance, we recommend pairing back to wall rimless pans with a high-level concealed cistern set at 6/3lt flushing.

See our FLUSHE 2.0 range for compatible WRAS approved concealed cisterns.

# TECHNICAL DRAWING



Saneux reserves the right to alter the specifications and product range without prior notice. Dimensions are given as a guide only. Dimensions should not be used for surrounding furniture, fixtures and fittings until the product is on site.

<https://saneux.com/products/uni-back-to-wall-wc-pan-rimless>