

SANSTEEL 1700X700MM BATH 2TH



Product Code: SST177.1

PRODUCT INFORMATION

Finish:	Gloss White
Height:	390mm
Width:	1700mm
Depth:	700mm
Material	Steel
Weight	25.9kg
Waste	Not included, purchase separately
Guarantee	5 years
Overflow Height (Centre (mm))	70mm
Compatible Tap Types	Deck mounted
Capacity to Overflow (L)	195L

DESCRIPTION

The SANSTEEL collection of built-in baths are a Saneux staple for your bathroom.

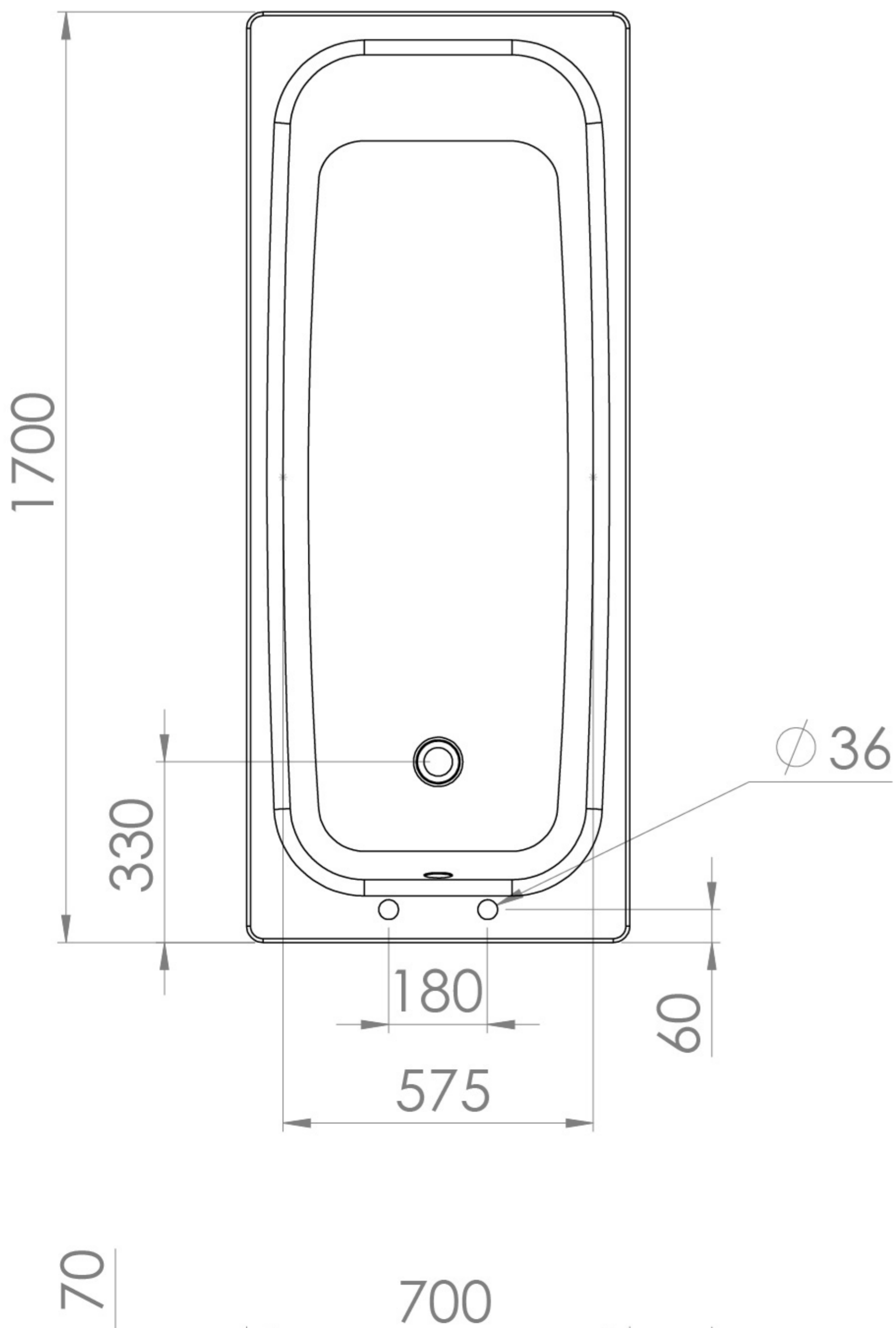
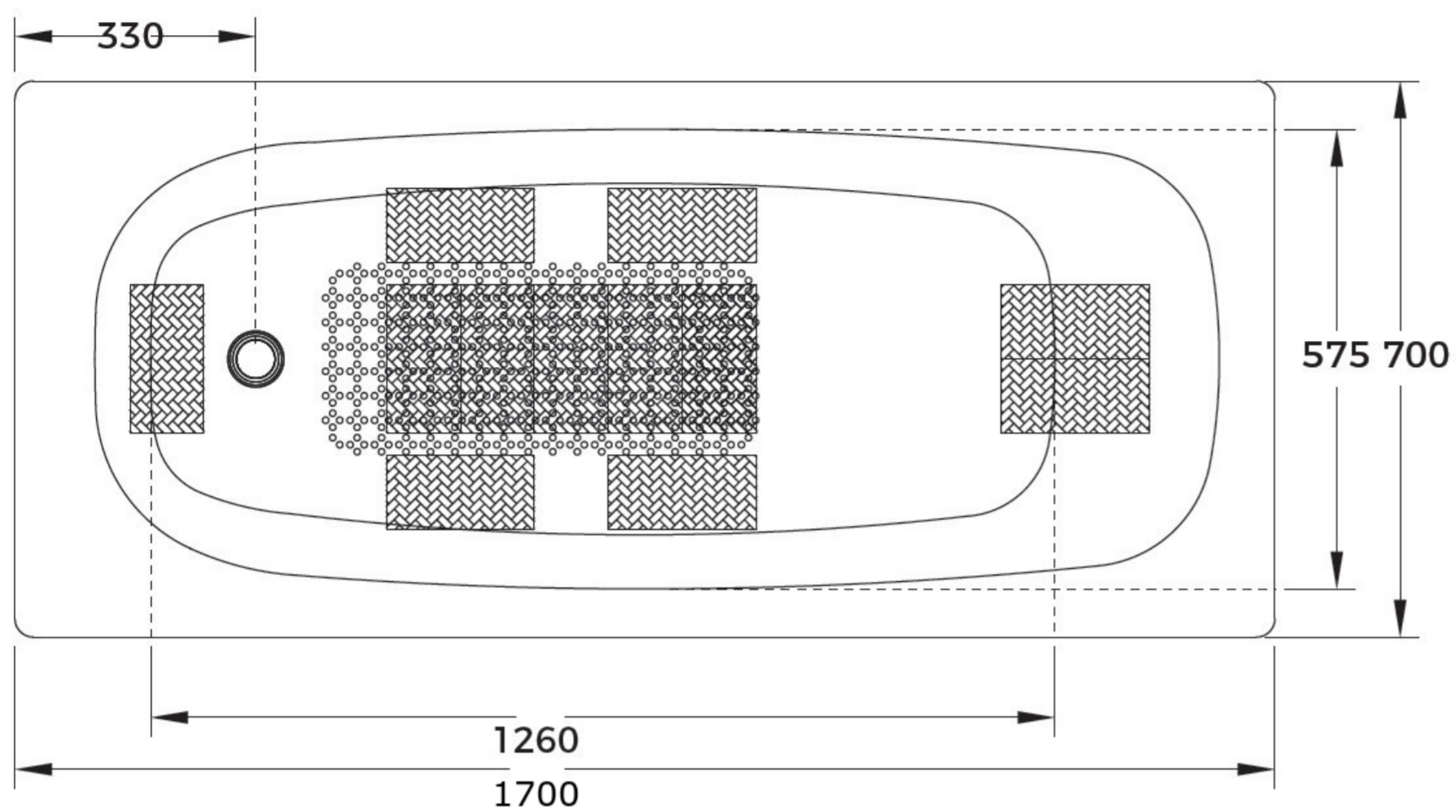
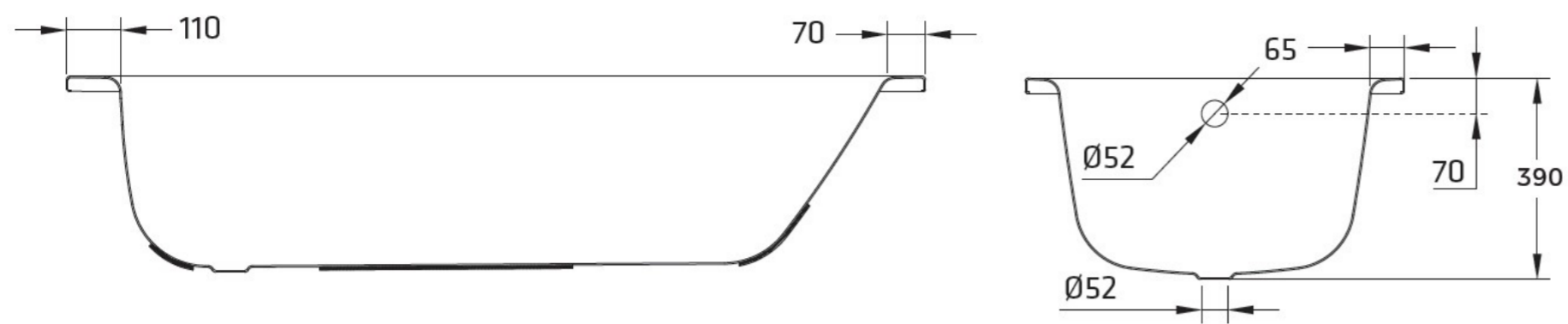
This SANSTEEL 1700x700mm single ended bath has a smooth curved sloped design which allows you to lie comfortably in your bath, ensuring you can have a relaxing bathing experience.

Like the name implies, it is made from steel which holds in the heat extremely well.

It comes with 2 pre-drilled holes so you can have a deck mounted bath filler ready to be quickly installed.

Bath legs to be purchased separately.

TECHNICAL DRAWING



Saneux reserves the right to alter the specifications and product range without prior notice. Dimensions are given as a guide only. Dimensions should not be used for surrounding furniture, fixtures and fittings until the product is on site.

<https://saneux.com/products/sansteel-1700x700mm-bath-2th>