

SANSTEEL 1600X700MM BATH OTH



Product Code: SST167

PRODUCT INFORMATION

Finish:	Gloss White
Height:	390mm
Width:	1600mm
Depth:	700mm
Material	Steel
Weight	23.8kg
Waste	Not included, purchase separately
Guarantee	5 years
Overflow Height (Centre (mm))	70mm
Compatible Tap Types	Deck mounted, Wall mounted
Capacity to Overflow (L)	170L

DESCRIPTION

The SANSTEEL collection of built-in baths are a Saneux staple for your bathroom.

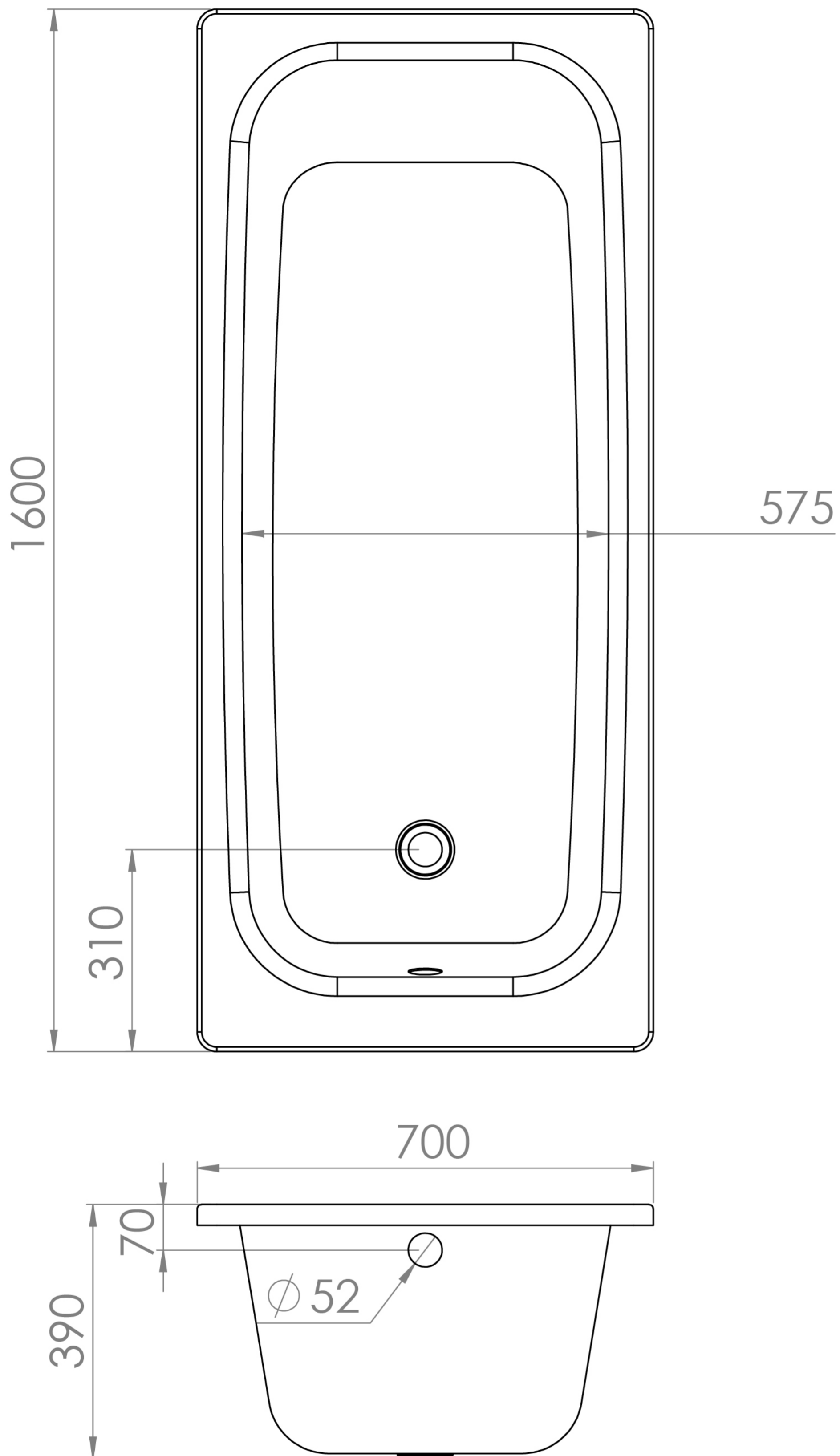
This SANSTEEL 1600x700mm single ended bath can fit in smaller spaces, and its curved sloped design allows you to lie comfortably in your bath so you can ensure you can have a relaxing bathing experience.

Like the name implies, it is made from steel which holds in the heat extremely well.

It doesn't come with pre-drilled holes so you can choose to have either a wall mounted bath filler, a deck mounted bath filler, or an in-built bath filler, allowing you to truly customise your bath to suit your preferences.

Bath legs to be purchased separately.

TECHNICAL DRAWING



Saneux reserves the right to alter the specifications and product range without prior notice. Dimensions are given as a guide only. Dimensions should not be used for surrounding furniture, fixtures and fittings until the product is on site.