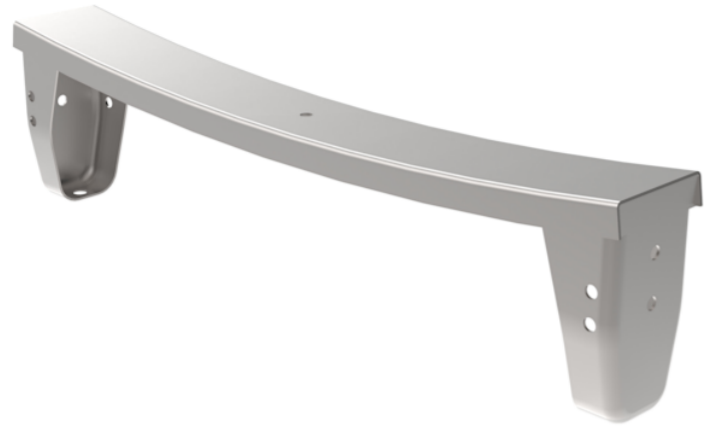


SANSTEEL ADHESIVE LEG SET



Product Code: SST.AL

PRODUCT INFORMATION

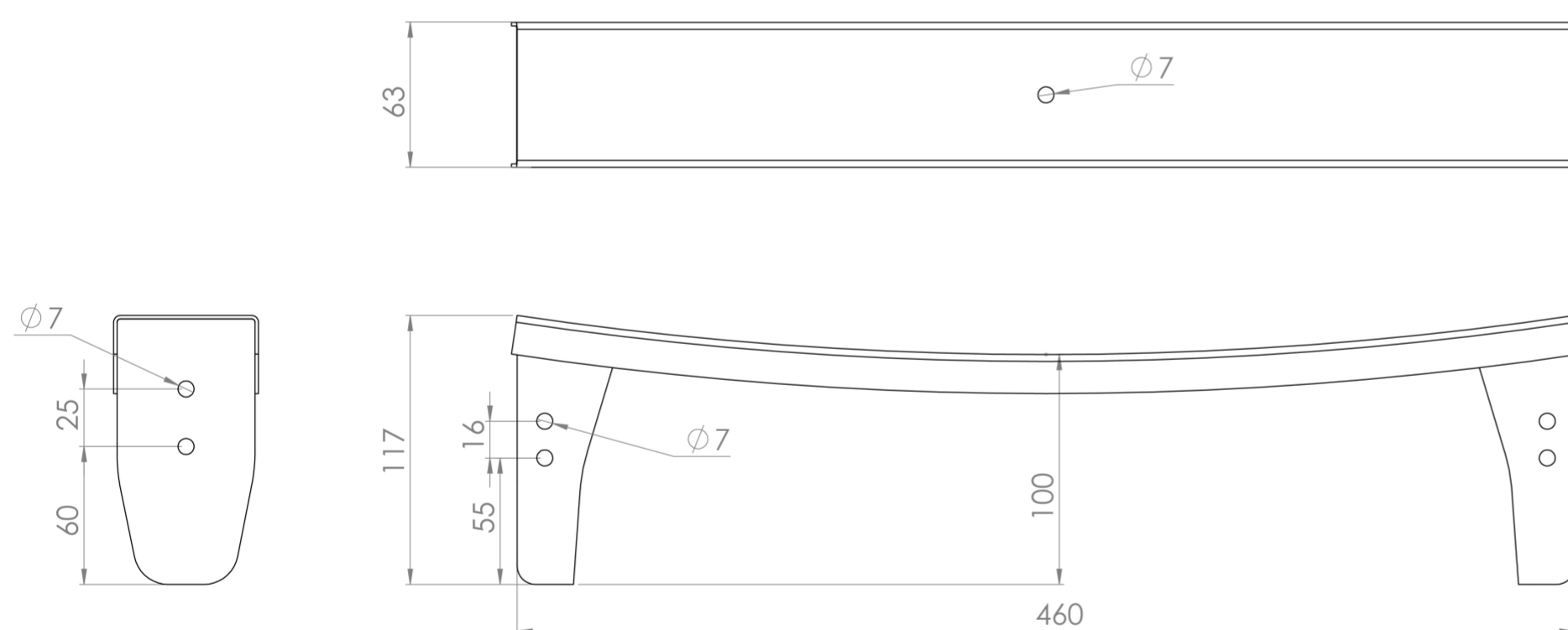
Finish:	Chrome
Height:	117mm
Width:	460mm
Depth:	63mm
Material:	Steel
Weight:	2kg
Guarantee:	5 years

DESCRIPTION

The SANSTEEL collection of built-in baths are a Saneux staple for your bathroom.

This adhesive bath leg set is compatible for our SANSTEEL baths collection only and will adhere to the bottom of the bath easily and securely.

TECHNICAL DRAWING



Saneux reserves the right to alter the specifications and product range without prior notice. Dimensions are given as a guide only. Dimensions should not be used for surrounding furniture, fixtures and fittings until the product is on site.