

## HYDE 55X37CM WASHBASIN OTH



**Product Code:** HY055B.OTH

### PRODUCT INFORMATION

<b>Finish:</b>	Gloss White
<b>Height:</b>	160mm
<b>Width:</b>	550mm
<b>Depth:</b>	375mm
<b>Material</b>	Ceramic
<b>Weight</b>	12.6kg
<b>Overflow(s)</b>	Yes
<b>Overflow Position</b>	Off Centre (to the left)
<b>Overflow Diameter</b>	22mm
<b>Compatible Overflows</b>	OC01, OC02, OC03
<b>Tap Holes</b>	0 Tap Hole
<b>Recommended Waste Required</b>	Slotted waste
<b>Furniture Required For Installation?</b>	Optional
<b>Guarantee</b>	Lifetime

### DESCRIPTION

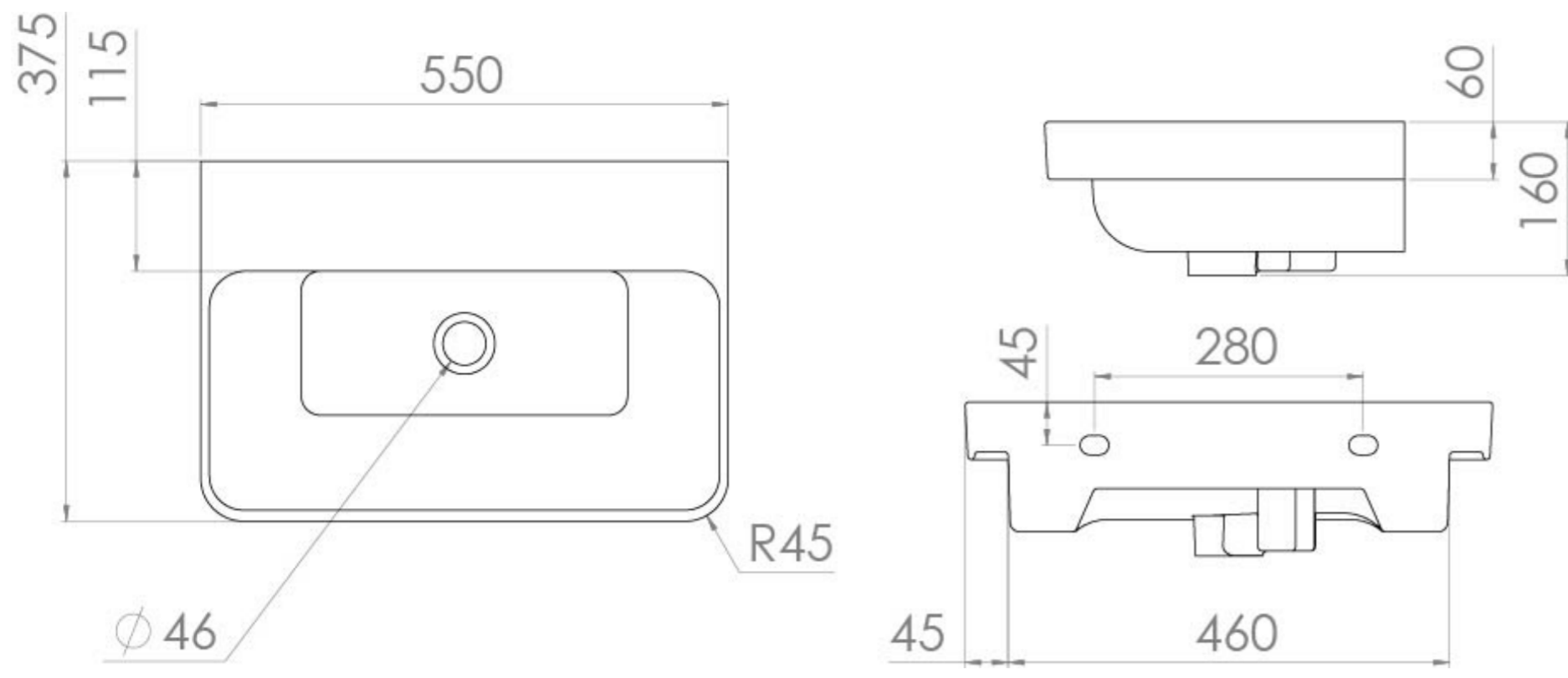
As the name suggests, the HYDE collection features short projection basins and vanity units with a contemporary design, perfect for small and compact spaces.

This HYDE 55x37cm no tap hole washbasin has slim edges with a deep bowl, cleverly utilising every inch of ceramic available. Its curved edges give a soft feel to the basin, and its projection of 37cm allows it to fit in narrow bathrooms.

Pairs with the HYDE 55cm 1 & 2 drawer wall mounted units and 2 door floor standing units.

\*With an overflow

# TECHNICAL DRAWING



Saneux reserves the right to alter the specifications and product range without prior notice. Dimensions are given as a guide only. Dimensions should not be used for surrounding furniture, fixtures and fittings until the product is on site.

<https://saneux.com/products/hyde-55x37cm-washbasin-0th>