

# HYDE 50X28CM CLOAKROOM WASHBASIN RIGHT TAP HOLE



**Product Code:** HY050CB.R

## PRODUCT INFORMATION

|   |                 |
|---|-----------------|
| <b>Finish:</b>                              | Gloss White     |
| <b>Height:</b>                              | 145mm           |
| <b>Width:</b>                               | 500mm           |
| <b>Depth:</b>                               | 280mm           |
| <b>Material</b>                             | Ceramic         |
| <b>Weight</b>                               | 7.9kg           |
| <b>Tap Holes</b>                            | 1 Tap Hole      |
| <b>Tap Hole Position</b>                    | Right Hand      |
| <b>Extra Tap Hole Options</b>               | N/A             |
| <b>Recommended Waste Required</b>           | Unslotted waste |
| <b>Furniture Required For Installation?</b> | Yes             |
| <b>Guarantee</b>                            | Lifetime        |

## DESCRIPTION

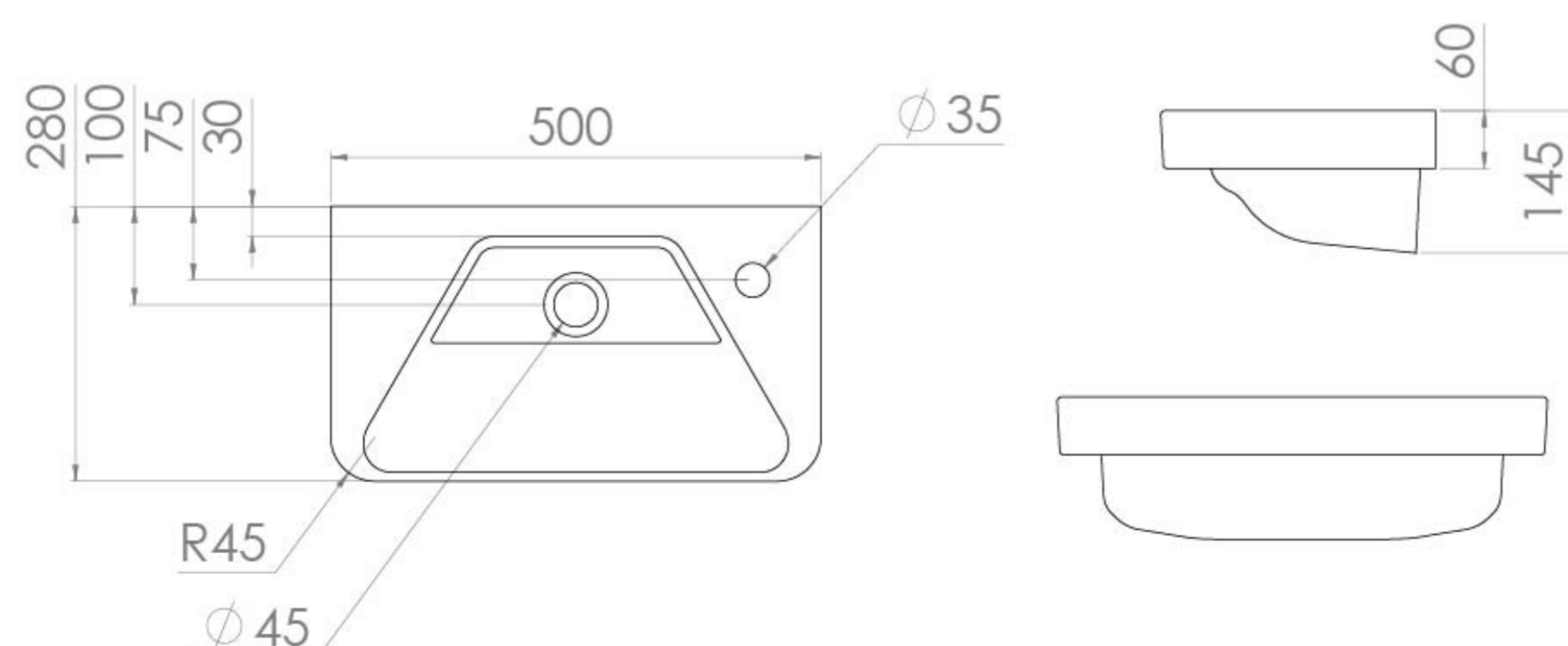
As the name suggests, the HYDE collection features short projection basins and vanity units with a contemporary design, perfect for small and compact spaces.

This HYDE 50x28cm cloakroom washbasin with a right hand tap hole has a uniquely shaped bowl and will fit in the most compact of spaces thanks to its short projection of only 28cm.

Pairs with the HYDE 50cm cloakroom 2 door wall mounted and floor standing units.

\*No overflow

## TECHNICAL DRAWING



Saneux reserves the right to alter the specifications and product range without prior notice. Dimensions are given as a guide only. Dimensions should not be used for surrounding furniture, fixtures and fittings until the product is on site.

<https://saneux.com/products/hyde-50x28cm-cloakroom-washbasin-right-tap-hole>