

FLUSHE 2.0 DOT FLUSH PLATE - MATTE BLACK



PRODUCT INFORMATION

Finish:	Matte Black
Height:	160mm
Width:	247mm
Depth:	24.5mm
Material	Plastic
Weight	0.4kg
Guarantee	2 years
Compatible Cistern(s)	FL2022, FL2024, FL2026, FL2028, HC2036, HC2037

Product Code: FP112

DESCRIPTION

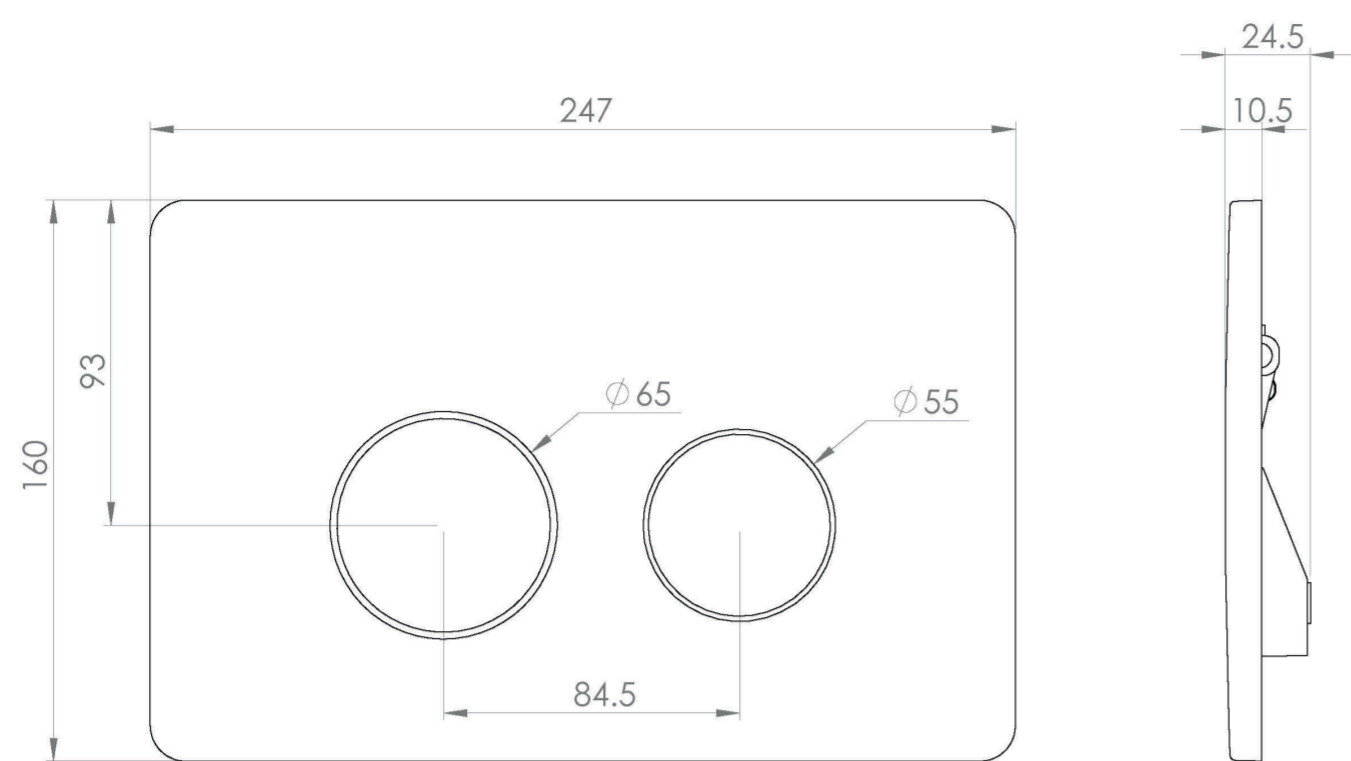
FLUSHE 2.0 is our collection of framed and concealed cisterns, flush plates, and flush buttons.

Our selection of flush plates can transform the look of any bathroom or cloakroom instantly as they have a modern and sleek look to them.

This FLUSHE 2.0 matte black dot flush plate is mechanical and features 2 round buttons: the smaller button operates a half flush, and the larger button operates a full flush.

It is only for cisterns FL2022, FL2024, FL2026, HC2036 & HC2037

TECHNICAL DRAWING



Saneux reserves the right to alter the specifications and product range without prior notice. Dimensions are given as a guide only. Dimensions should not be used for surrounding furniture, fixtures and fittings until the product is on site.

<https://saneux.com/products/flushe-20-dot-flush-plate-matte-black>