

FLUSHE 2.0 UNIVERSAL BIDET FRAME

PRODUCT INFORMATION

Finish:	Grey , Matte Black, Grey
Height:	1140mm
Width:	500mm
Depth:	147mm
Material	Galvanized Steel
Weight	12.45kg
Guarantee	2 years



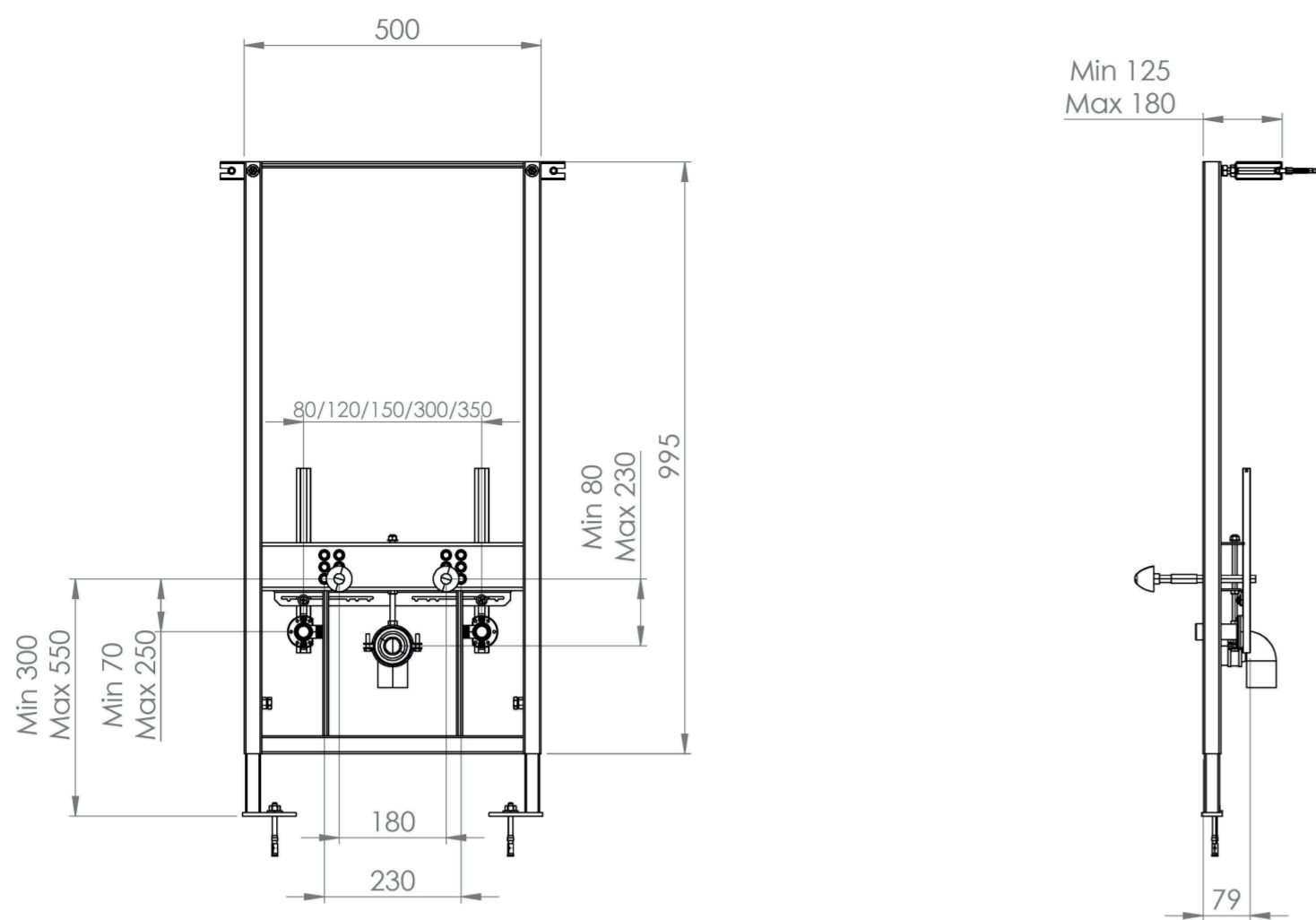
Product Code: FL5050

DESCRIPTION

FLUSHE 2.0 is our collection of framed and concealed cisterns, flush plates, and flush buttons.

The universal bidet frame is best suited for wall hung bidets to give it extra support.

TECHNICAL DRAWING



Saneux reserves the right to alter the specifications and product range without prior notice. Dimensions are given as a guide only. Dimensions should not be used for surrounding furniture, fixtures and fittings until the product is on site.

<https://saneux.com/products/flush-20-universal-bidet-frame>