

FLUSHE 2.0 1140/85MM UNIVERSAL ULTRA SLIM FRAMED CISTERN WITH FRONT FLUSH



Product Code: FL2026

PRODUCT INFORMATION

| | |
|--------------------------------|--|
| Finish: | Grey , Matte Black, Grey |
| Height: | 1140mm |
| Width: | 560mm |
| Depth: | 90mm |
| Material | Galvanized Steel |
| Weight | 14.25kg |
| Approvals/Standards | WRAS |
| Guarantee | 2 years |
| Flushing Volume (L) | 6 / 3 litres |
| Type of Flushing | Mechanical |
| Compatible Flush Plates | FP110, FP111, FP112, FP120, FP121, FP122, FP150, FP152, FP161, FP162, FP165, FP166, FP165.2, FP166.2 |

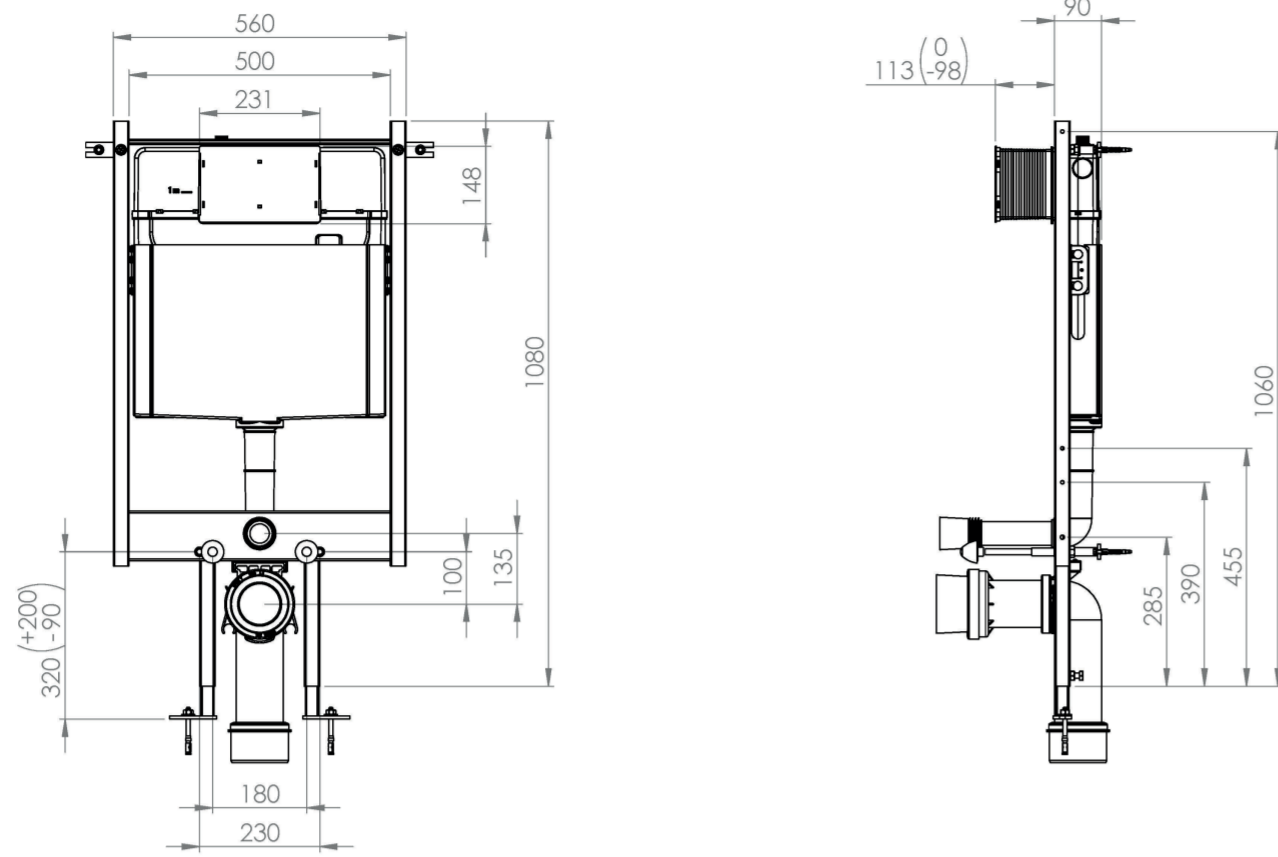
DESCRIPTION

FLUSHE 2.0 is our collection of framed and concealed cisterns, flush plates, and flush buttons. They feature Fluidmaster internals which are WRAS approved, giving you peace of mind that they will not contaminate the water.

This FLUSHE 2.0 1140mm universal ultra slim framed concealed cistern has a front mechanical flush only as it is very slim in design with only a 9cm depth, allowing it to be fitted in smaller bathroom spaces. It is best suited to work with our wall mounted WCs as the frames provide support.

Pair it with our selection of flush plates within the same FLUSHE 2.0 range.

TECHNICAL DRAWING



Saneux reserves the right to alter the specifications and product range without prior notice. Dimensions are given as a guide only. Dimensions should not be used for surrounding furniture, fixtures and fittings until the product is on site.

<https://saneux.com/products/flushe-20-114085mm-universal-ultra-slim-framed-cistern-with-front-flush>