

FLUSHE 2.0 750MM UNIVERSAL FRAMED CISTERN WITH FRONT OR TOP FLUSH



Product Code: FL2024

PRODUCT INFORMATION

Finish:	Grey , Matte Black, Grey
Height:	750mm
Width:	430mm
Depth:	155mm
Material	Galvanized Steel
Weight	11.65kg
Approvals/Standards	WRAS
Guarantee	2 years
Flushing Volume (L)	6 / 3 litres
Type of Flushing	Mechanical
Compatible Flush Plates	FP110, FP111, FP112, FP120, FP121, FP122, FP150, FP152, FP161, FP162, FP165, FP166, FP165.2, FP166.2

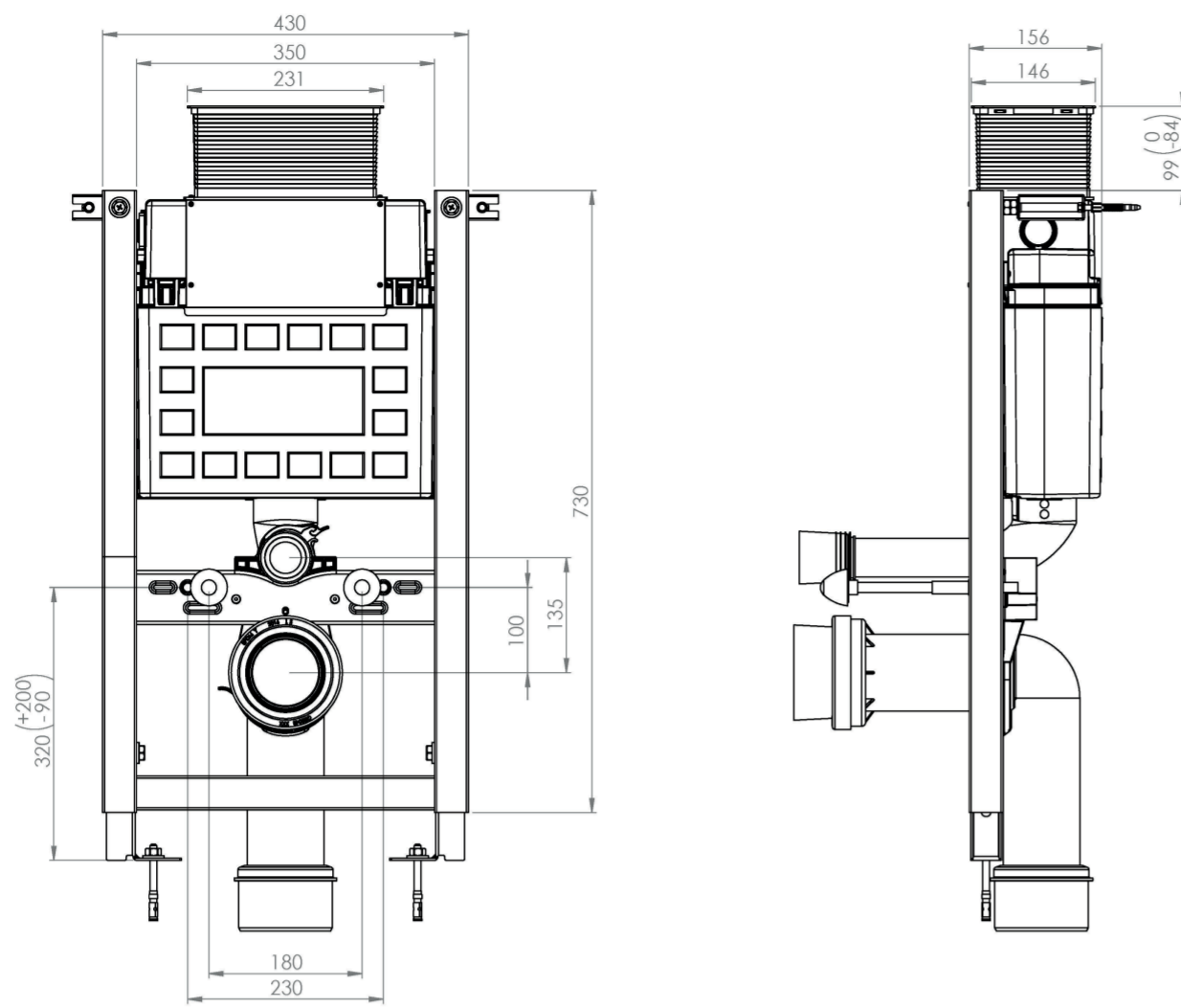
DESCRIPTION

FLUSHE 2.0 is our collection of framed and concealed cisterns, flush plates, and flush buttons. They feature Fluidmaster internals which are WRAS approved, giving you peace of mind that they will not contaminate the water.

This FLUSHE 2.0 750mm universal framed concealed cistern has the option of having either a front or top mechanical flush. It is only 75cm high so it can be installed into smaller bathrooms, and is also slim depth at only 16-21cm. It is best suited to work with our wall mounted WCs as the frames provide support.

Pair it with our selection of flush plates within the same FLUSHE 2.0 range.

TECHNICAL DRAWING



Saneux reserves the right to alter the specifications and product range without prior notice. Dimensions are given as a guide only. Dimensions should not be used for surrounding furniture, fixtures and fittings until the product is on site.

<https://saneux.com/products/flusher-20-750mm-universal-framed-cistern-with-front-or-top-flush>