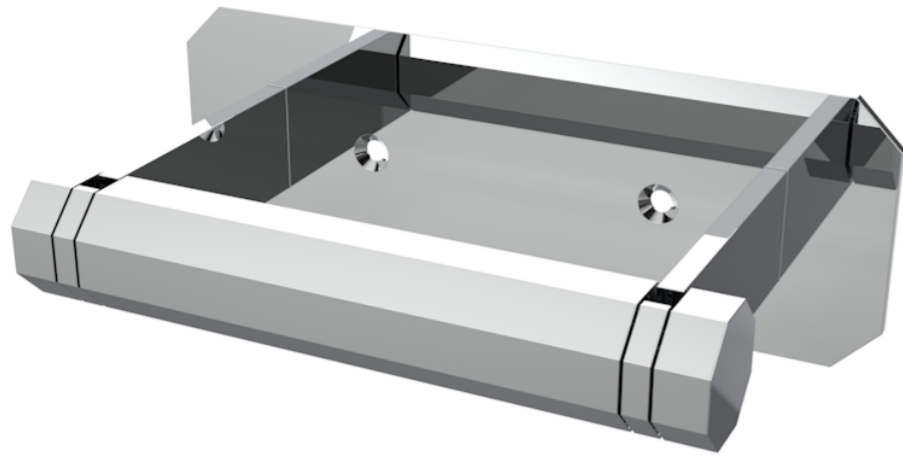


CROMWELL TOILET ROLL HOLDER - CHROME



PRODUCT INFORMATION

Finish:	Chrome
Height:	60mm
Width:	170mm
Depth:	55mm
Material	Brass
Weight	0.85kg
Guarantee	5 years

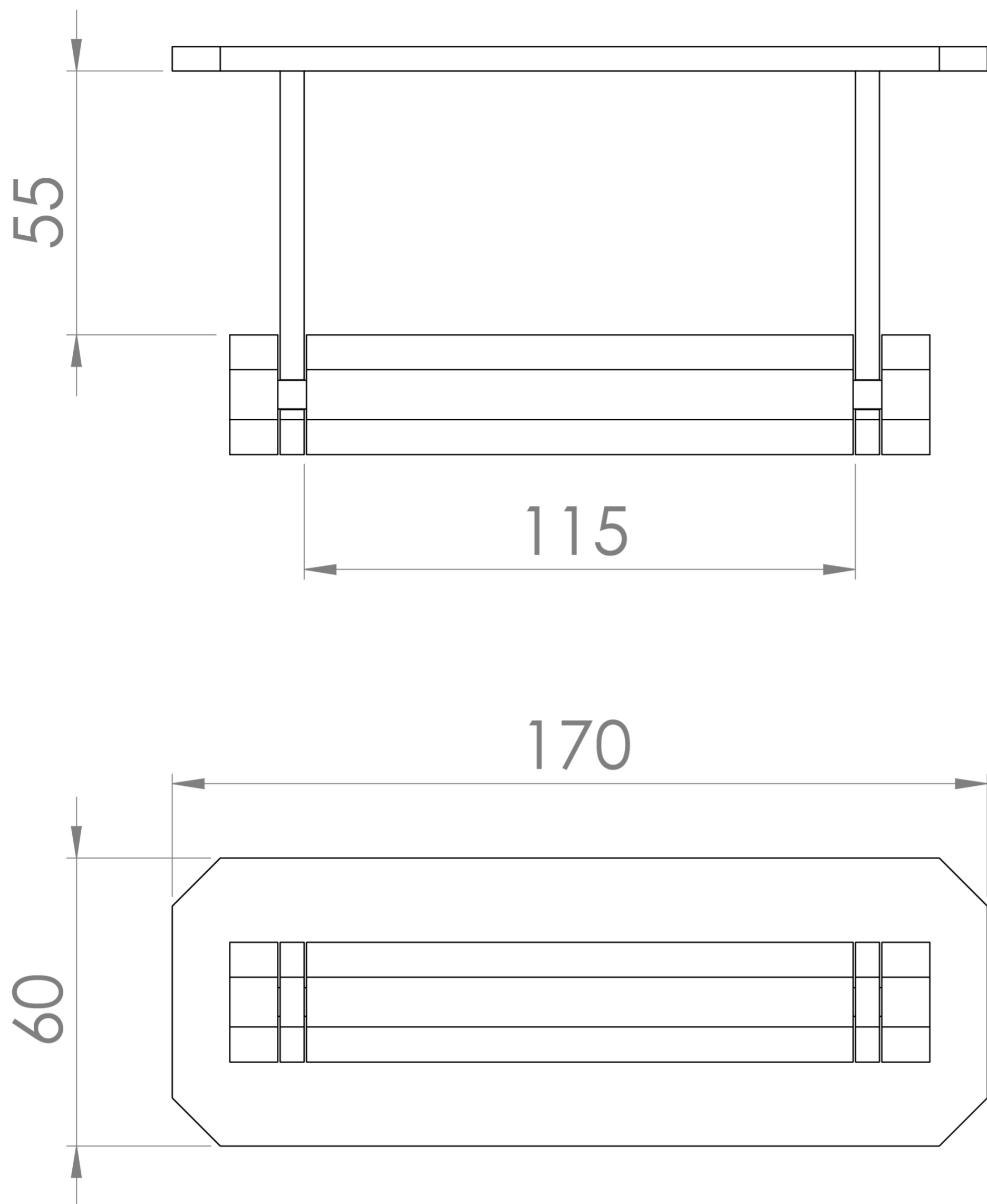
Product Code: CR260

DESCRIPTION

The basis for the design of the CROMWELL collection was to emulate a strong, traditional style of brassware that has contemporary elements to fit in with modern day interiors. The accessories will be the perfect finishing touches needed to complete your bathroom look.

This toilet roll holder has one plate to securely fix it to the wall, so it can work in a variety of bathrooms. The holder itself snugly clips into the brackets so it is quick and easy to replace your toilet paper. Simply lift it up, remove and replace the roll, and clip it back into the brackets.

TECHNICAL DRAWING



Saneux reserves the right to alter the specifications and product range without prior notice. Dimensions are given as a guide only. Dimensions should not be used for surrounding furniture, fixtures and fittings until the product is on site.

<https://saneux.com/products/cromwell-toilet-roll-holder-chrome>