

COS WALL MOUNTED 2 PLATE BASIN MIXER – BRUSHED NICKEL



Product Code: CO2052.BN

PRODUCT INFORMATION

Width:	208.5mm
Finish:	Brushed Nickel (PVD)
Height:	80mm
Depth:	226.8mm
Material:	Brass
Product Type:	Wall Mounted Basin Mixer Tap
Approvals:	WRAS Approved
Weight	1.44kg
Waste	Not included, purchase separately
Guarantee	5 years
Spout Projection (mm)	169.8mm
Other Features	Pair with a 0 tap hole or countertop basin
Material	Brass
Approvals/Standards	WRAS

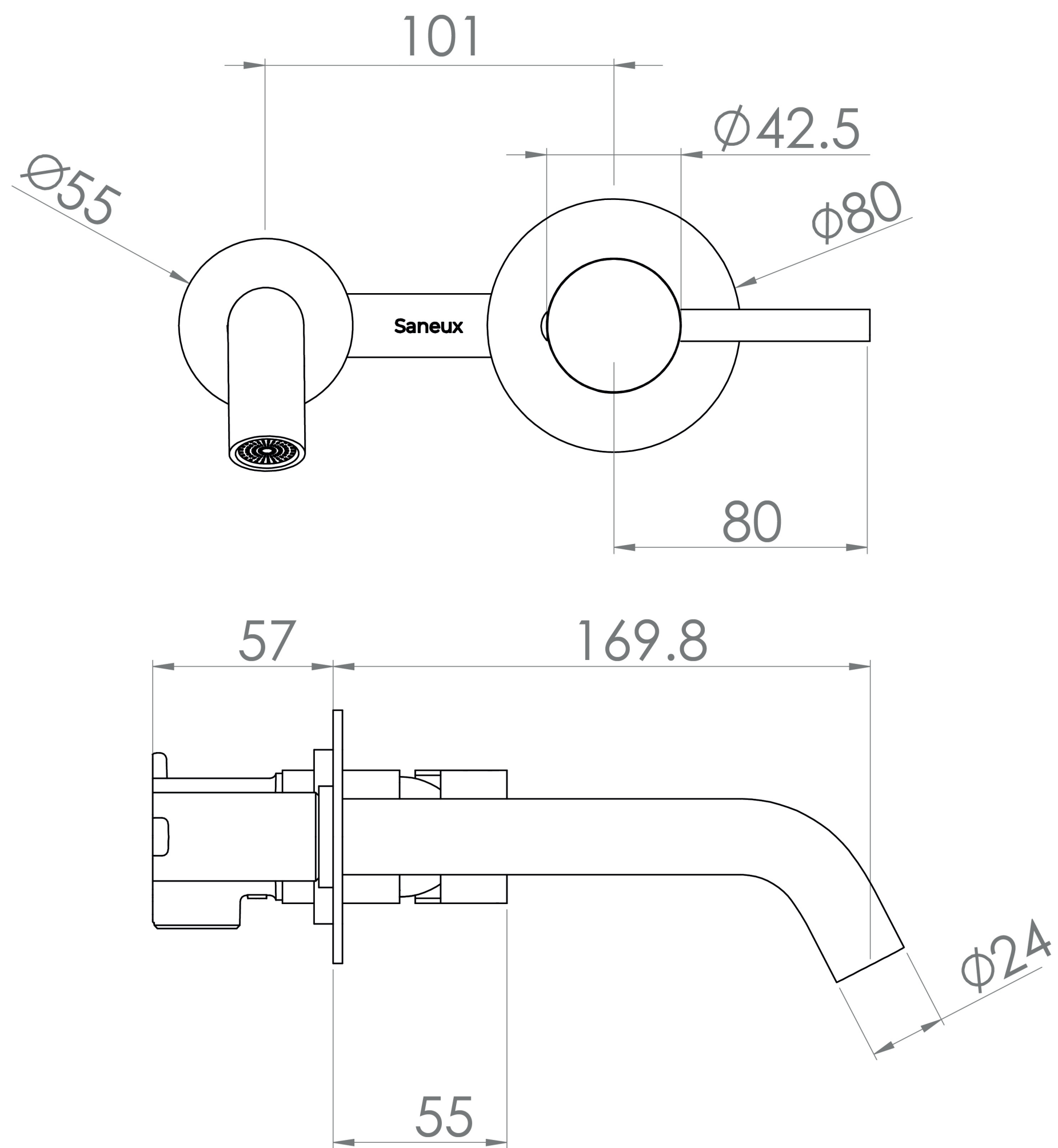
DESCRIPTION

The COS collection was designed to create brassware that was both modern and classic to suit any style of bathroom.

This COS two plate wall mounted basin mixer in this stunning brushed nickel finish will instantly add a luxury touch to your bathroom, and with it having a PVD finish, it will continuously look flawless for years to come. Pair it with any of our no tap hole washbasins or our SIENNA countertop basins.

For a shorter spout option (95mm) - use: SP.COS.050

Waste to be purchased separately.



- 0.2 Bar - Flowrate: 3 l/min
- 0.3 Bar - Flowrate: 3.6 l/min
- 0.4 Bar - Flowrate: 4.2 l/min
- 0.5 Bar - Flowrate: 4.6 l/min
- 1 Bar - Flowrate: 6.4 l/min
- 2 Bar - Flowrate: 9.1 l/min
- 3 Bar - Flowrate: 11.2 l/min
- 4 Bar - Flowrate: 13.1 l/min
- 5 Bar - Flowrate: 14.7 l/min

Saneux reserves the right to alter the specifications and product range without prior notice. Dimensions are given as a guide only. Dimensions should not be used for surrounding furniture, fixtures and fittings until the product is on site.