

## COS TALL BASIN MIXER - BRUSHED NICKEL



**Product Code:** CO204.BN

### PRODUCT INFORMATION

<b>Width:</b>	53mm
<b>Finish:</b>	Brushed Nickel (PVD)
<b>Height:</b>	329.6mm
<b>Depth:</b>	176.7mm
<b>Material:</b>	Brass
<b>Product Type:</b>	Tall Basin Mixer Tap, Deck Mounted Basin Mixer Tap
<b>Approvals:</b>	WRAS Approved
<b>Weight</b>	1.63kg
<b>Waste</b>	Not included, purchase separately
<b>Guarantee</b>	5 years
<b>Spout Projection (mm)</b>	155.5mm
<b>Other Features</b>	Pair with a countertop basin
<b>Material</b>	Brass
<b>Approvals/Standards</b>	WRAS

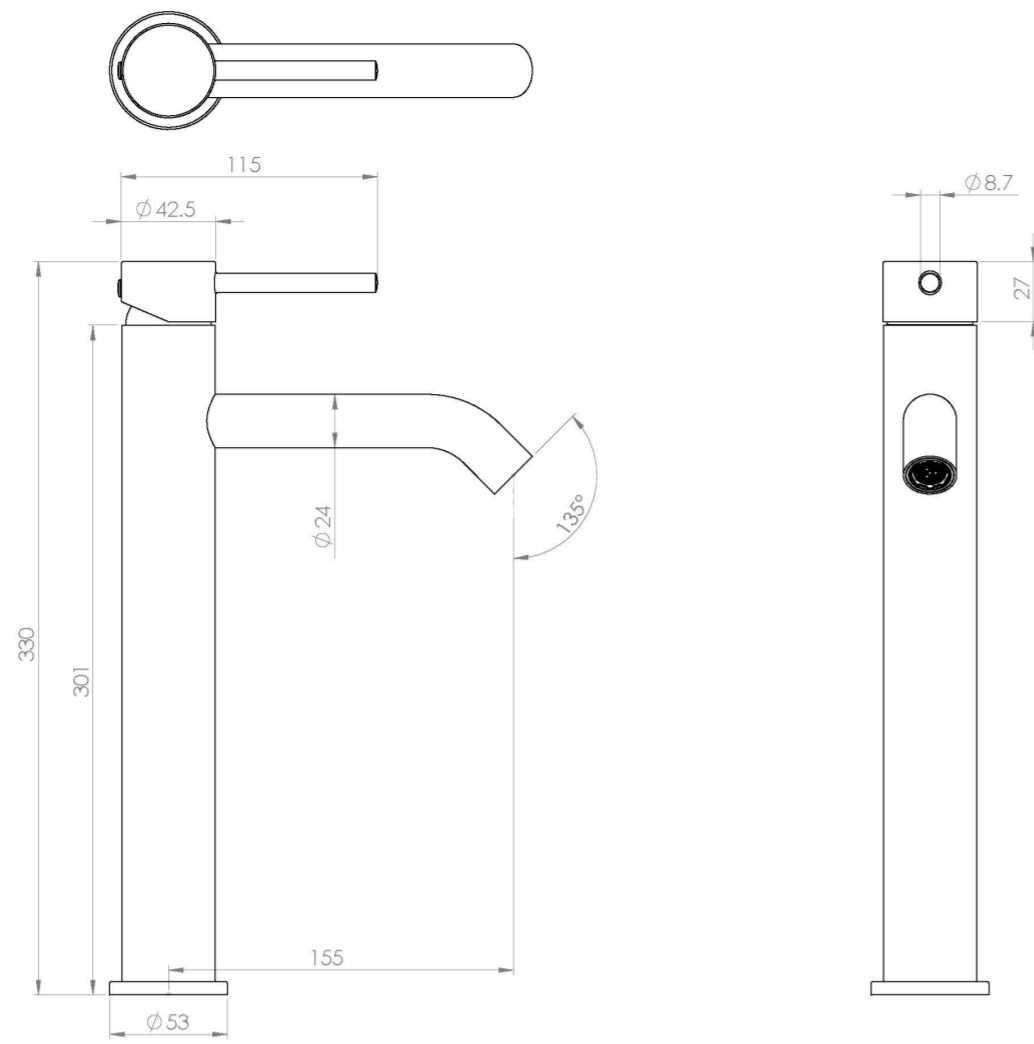
### DESCRIPTION

The COS collection was designed to create brassware that was both modern and classic to suit any style of bathroom.

This COS tall basin mixer in this stunning brushed nickel finish will instantly add a luxury touch to your bathroom, and with it having a PVD finish, it will continuously look flawless for years to come. It is best suited with a countertop basin and countertop because of its height.

Waste to be purchased separately.

## TECHNICAL DRAWING



## FLOW RATE

- 0.2 Bar - Flowrate: 3.1 l/min
- 0.3 Bar - Flowrate: 3.6 l/min
- 0.4 Bar - Flowrate: 4.1 l/min
- 0.5 Bar - Flowrate: 4.5 l/min
- 1 Bar - Flowrate: 6.3 l/min
- 2 Bar - Flowrate: 9 l/min
- 3 Bar - Flowrate: 11.1 l/min
- 4 Bar - Flowrate: 13 l/min
- 5 Bar - Flowrate: 14.6 l/min

---

Saneux reserves the right to alter the specifications and product range without prior notice. Dimensions are given as a guide only. Dimensions should not be used for surrounding furniture, fixtures and fittings until the product is on site.

<https://saneux.com/products/cos-tall-basin-mixer-brushed-nickel>