

COS BASIN MIXER - BRUSHED NICKEL



Product Code: CO201.BN

PRODUCT INFORMATION

Width:	50.5mm
Finish:	Brushed Nickel (PVD)
Height:	185.6mm
Depth:	152.5mm
Material:	Brass
Product Type:	Deck Mounted Basin Mixer Tap, Single Lever Basin Mixer
Approvals:	WRAS Approved
Weight	1.29kg
Waste	Not included, purchase separately
Guarantee	5 years
Spout Projection (mm)	130mm
Material	Brass
Approvals/Standards	WRAS

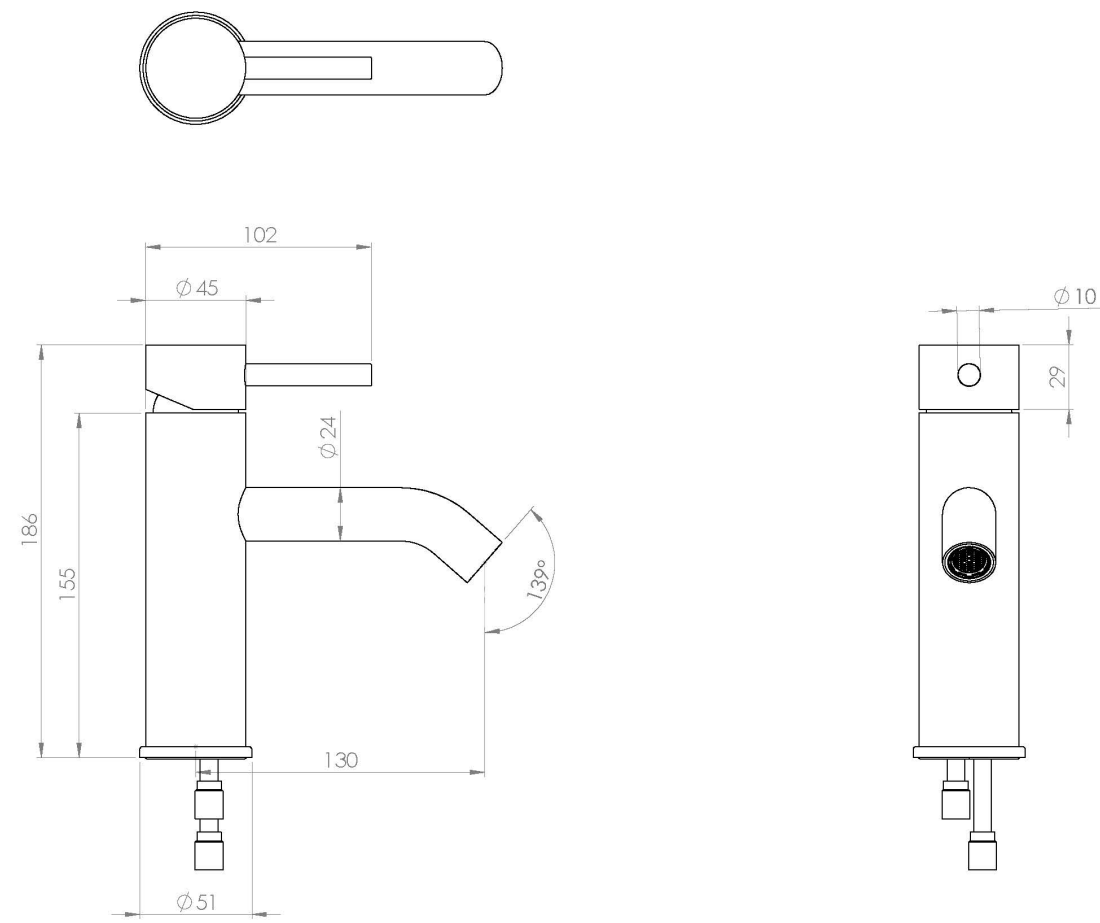
DESCRIPTION

The COS collection was designed to create brassware that was both modern and classic to suit any style of bathroom.

This COS basin mixer in this stunning brushed nickel finish will instantly add a luxury touch to your bathroom, and with it having a PVD finish, it will continuously look flawless for years to come.

Waste to be purchased separately.

TECHNICAL DRAWING



FLOW RATE

- 0.2 Bar - Flowrate: 3.2 l/min
- 0.3 Bar - Flowrate: 3.7 l/min
- 0.4 Bar - Flowrate: 4.2 l/min
- 0.5 Bar - Flowrate: 4.7 l/min
- 1 Bar - Flowrate: 6.6 l/min
- 2 Bar - Flowrate: 9.3 l/min
- 3 Bar - Flowrate: 10.5 l/min
- 4 Bar - Flowrate: 13.4 l/min
- 5 Bar - Flowrate: 15.1 l/min

Saneux reserves the right to alter the specifications and product range without prior notice. Dimensions are given as a guide only. Dimensions should not be used for surrounding furniture, fixtures and fittings until the product is on site.

<https://saneux.com/products/cos-basin-mixer-brushed-nickel>