

COS WALL MOUNTED 2 PLATE BASIN MIXER – BRUSHED BRASS



Product Code: CO2052.BB

PRODUCT INFORMATION

Width:	208.5mm
Finish:	Brushed Brass (PVD)
Height:	80mm
Depth:	226.8mm
Material:	Brass
Product Type:	Wall Mounted Basin Mixer Tap
Approvals:	WRAS Approved
Weight	1.44kg
Waste	Not included, purchase separately
Guarantee	5 years
Spout Projection (mm)	169.8mm
Other Features	Pair with a 0 tap hole or countertop basin
Material	Brass
Approvals/Standards	WRAS

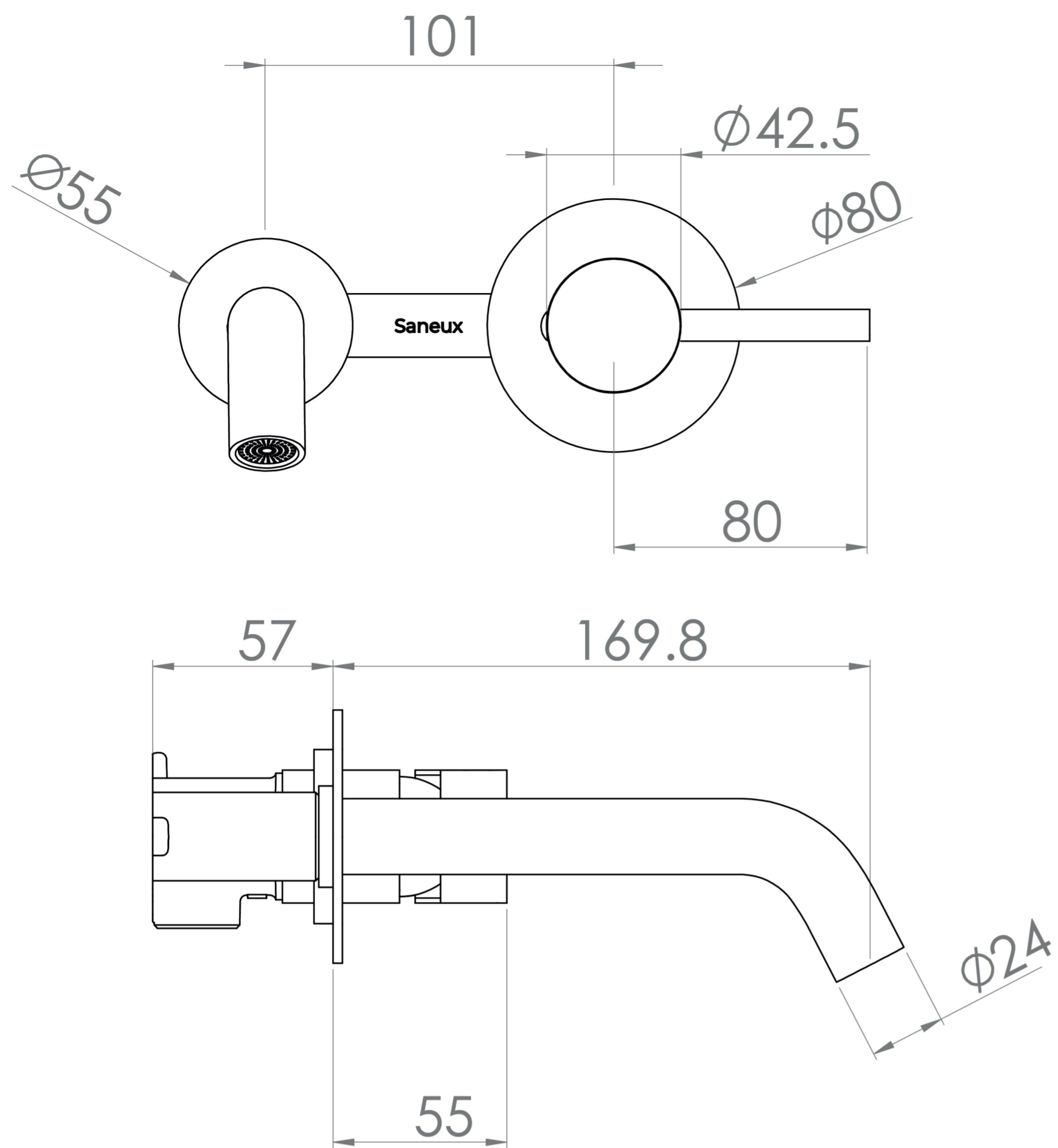
DESCRIPTION

The COS collection was designed to create brassware that was both modern and classic to suit any style of bathroom.

This COS wall mounted 2 plate basin mixer in this stunning brushed brass finish will instantly add a luxury touch to your bathroom, and with it having a PVD finish, it will continuously look flawless for years to come. Pair it with any of our no tap hole washbasins or our SIENNA countertop basins.

For a shorter spout option (95mm) - use: SP.COS.049

Waste to be purchased separately.



- 0.2 Bar - Flowrate: 3 l/min
- 0.3 Bar - Flowrate: 3.6 l/min
- 0.4 Bar - Flowrate: 4.2 l/min
- 0.5 Bar - Flowrate: 4.6 l/min
- 1 Bar - Flowrate: 6.4 l/min
- 2 Bar - Flowrate: 9.1 l/min
- 3 Bar - Flowrate: 11.2 l/min
- 4 Bar - Flowrate: 13.1 l/min
- 5 Bar - Flowrate: 14.7 l/min

Saneux reserves the right to alter the specifications and product range without prior notice. Dimensions are given as a guide only. Dimensions should not be used for surrounding furniture, fixtures and fittings until the product is on site.