

COS 2 WAY SHOWER KIT - MATTE BLACK



PRODUCT INFORMATION

| | |
|-----------------|-------------------------------------|
| Finish: | Matte Black (Electroplated) |
| Material | Stainless Steel, Brass, ABS Plastic |
| Weight | 6.82kg |

Product Code: COSP03.MB

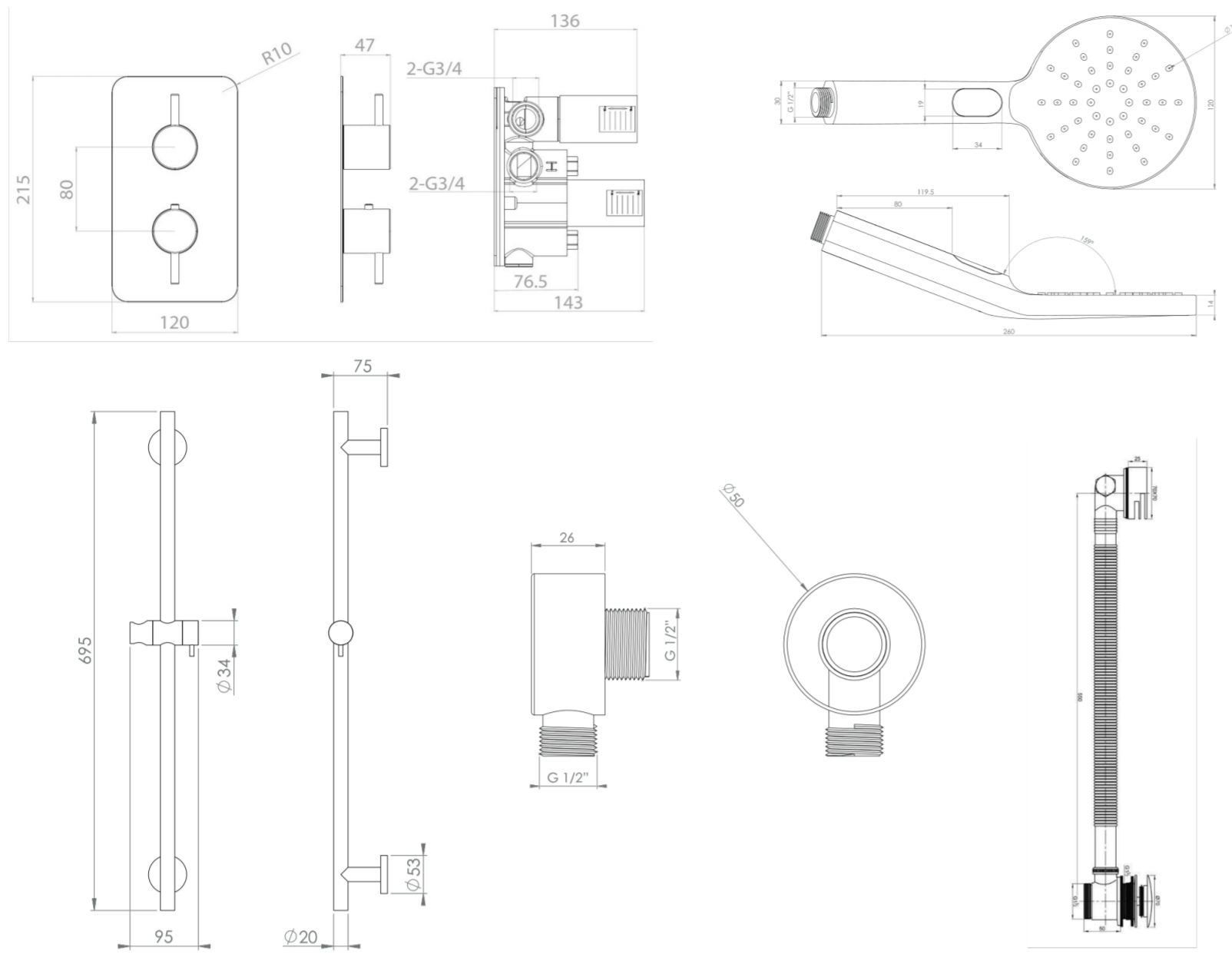
DESCRIPTION

COS 2-Way Shower Kit in Matte Black

Items included:

- COS 2-way thermostatic shower valve in Matte Black / CO220.MB
- COS round 3 function handset in Matte Black / CO235.MB
- COS round shower slide rail in Matte Black / CO231.MB
- COS round shower outlet in Matte Black / CO233.MB
- 1.5m shower hose in Matte Black / SH150SS.MB
- COS round bath filler, overflow and clicker waste in Matte Black / CO100.MB

TECHNICAL DRAWING



Saneux reserves the right to alter the specifications and product range without prior notice. Dimensions are given as a guide only. Dimensions should not be used for surrounding furniture, fixtures and fittings until the product is on site.

<https://saneux.com/products/cos-2-way-shower-kit-matte-black>