

COS 2 WAY SHOWER KIT WITH BAR VALVE - MATTE BLACK



Product Code: CO2WK01.MB

PRODUCT INFORMATION

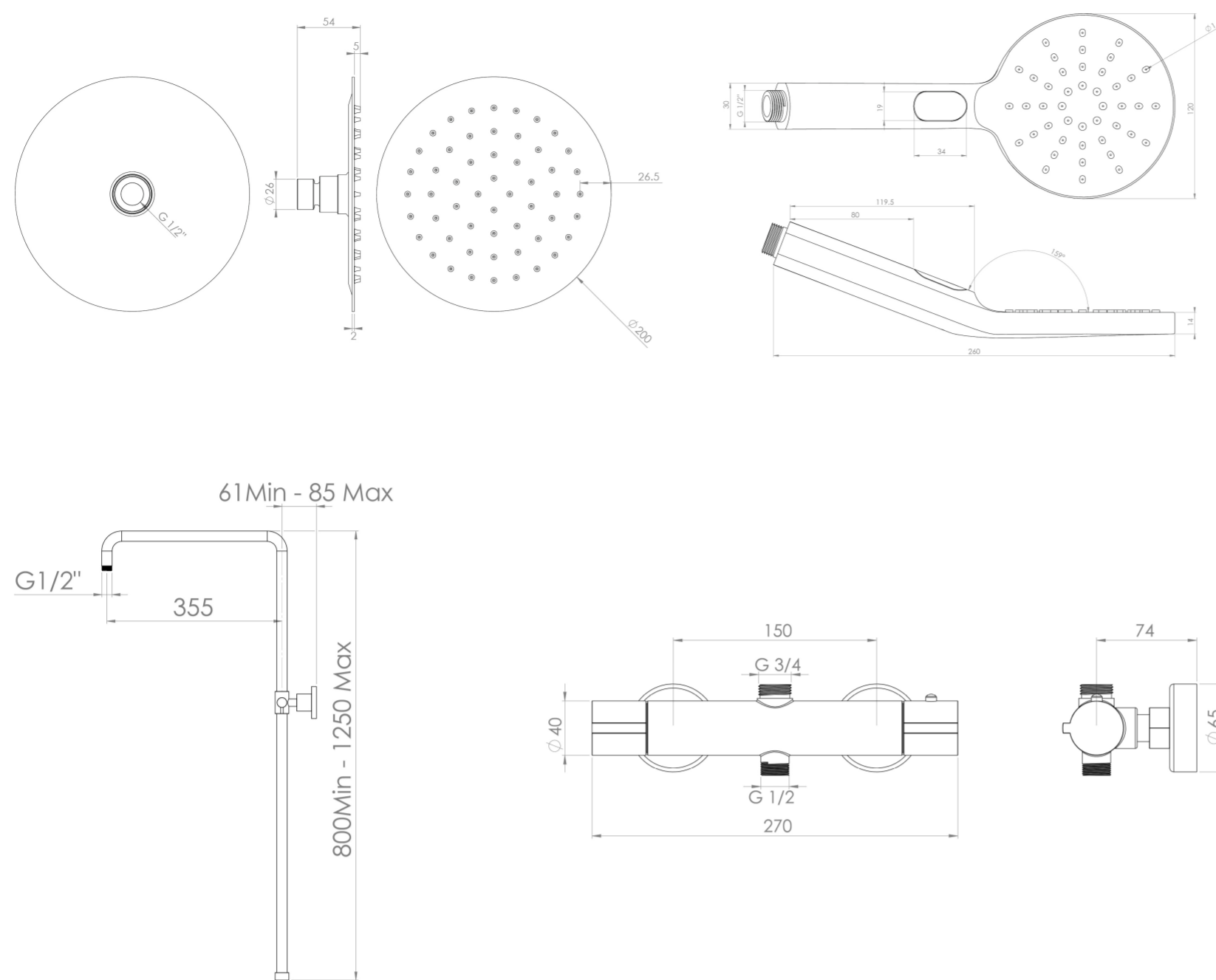
Finish:	Matte Black (Electroplated)
Outlets:	2 Outlets
Material	Brass
Weight	5.44kg

DESCRIPTION

The COS 2 way shower kit comprises of the following COS products:

- 200x2mm slim shower head / CO223.MB
 - 3 function handset / CO235.MB
 - Shower hose 1.5m / SH150SS.MB
 - Rigid riser rail / CORR01.MB
 - 2 way bar valve / CO2WV01.MB
-

TECHNICAL DRAWING



Saneux reserves the right to alter the specifications and product range without prior notice. Dimensions are given as a guide only. Dimensions should not be used for surrounding furniture, fixtures and fittings until the product is on site.

<https://saneux.com/products/cos-2-way-shower-kit-with-bar-valve-matte-black>