

COS BASIN MIXER WITH KNURLED HANDLE - MATTE BLACK



Product Code: CO201.KMB

PRODUCT INFORMATION

Finish:	Matte Black (Electroplated)
Height:	185.6mm
Width:	50.5mm
Depth:	152.5mm
Material	Brass
Weight	1.29kg
Approvals/Standards	WRAS
Waste	Not included, purchase separately
Guarantee	5 years
Spout Projection (mm)	130mm

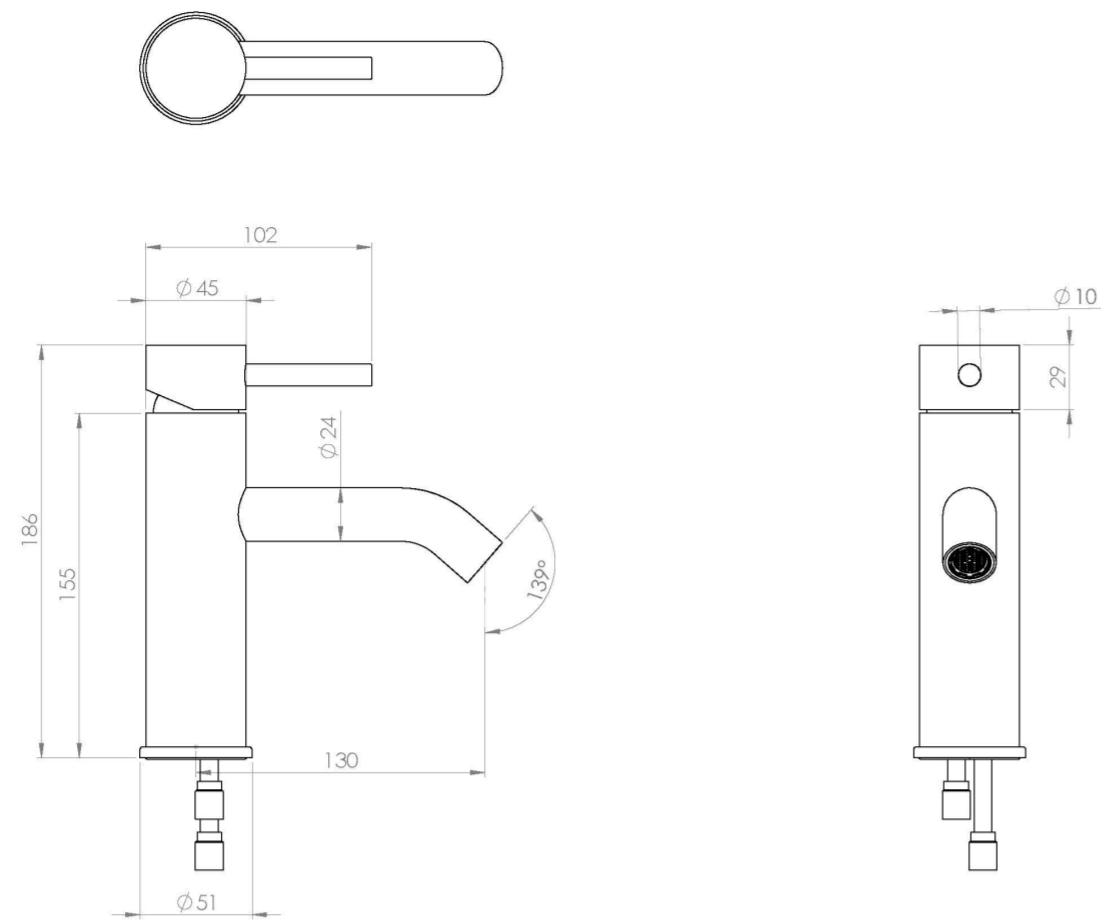
DESCRIPTION

The COS collection was designed to create brassware that is both modern and classic to suit any style of bathroom.

Upgrade your standard basin mixer and opt for this COS basin mixer with an industrial style knurled handle in the matte black finish. It will match any of our ceramic and furniture ranges.

Waste to be purchased separately.

TECHNICAL DRAWING



FLOW RATE

- 0.2 Bar - Flowrate: 3.2 l/min
- 0.3 Bar - Flowrate: 3.7 l/min
- 0.4 Bar - Flowrate: 4.2 l/min
- 0.5 Bar - Flowrate: 4.7 l/min
- 1 Bar - Flowrate: 6.6 l/min
- 2 Bar - Flowrate: 9.3 l/min
- 3 Bar - Flowrate: 10.5 l/min
- 4 Bar - Flowrate: 13.4 l/min
- 5 Bar - Flowrate: 15.1 l/min

Saneux reserves the right to alter the specifications and product range without prior notice. Dimensions are given as a guide only. Dimensions should not be used for surrounding furniture, fixtures and fittings until the product is on site.

<https://saneux.com/products/cos-basin-mixer-with-knurled-handle-matte-black>