

EDEN 3 WAY THERMOSTATIC SHOWER VALVE KIT IN LANDSCAPE - BRUSHED NICKEL



Product Code: ED021L.BN

PRODUCT INFORMATION

Finish:	Brushed Nickel (PVD)
Height:	100mm
Width:	275mm
Depth:	50mm
Material	Zinc, Stainless Steel, Brass
Guarantee	5 years
Outlets	3

DESCRIPTION

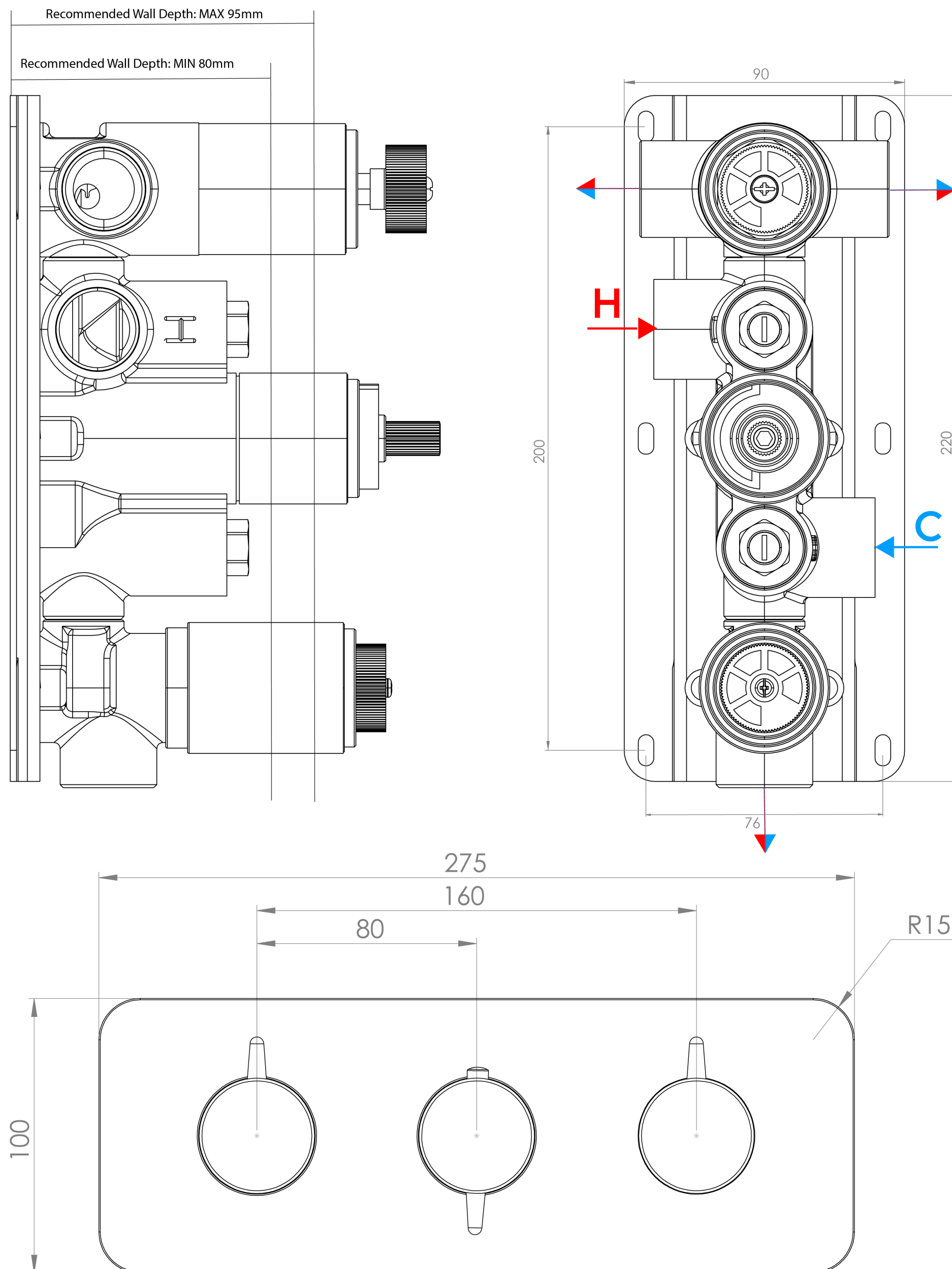
Achieve a premium aesthetic with our Eden shower valve collection with handles that seamlessly match our basin mixers, ensuring a cohesive high-end look and feel. Choose from 1, 2, and 3 outlet options in chrome, brushed brass, and brushed nickel.

This landscape thermostatic valve has 3 outlets which allows it to control a shower head, handset and bath filler. The left and right handles control the on/off function of the components, whilst the middle handle controls the water temperature.

*WRAS Approved valve

TECHNICAL DRAWING

FLOW RATE



Saneux reserves the right to alter the specifications and product range without prior notice. Dimensions are given as a guide only. Dimensions should not be used for surrounding furniture, fixtures and fittings until the product is on site.

<https://saneux.com/products/eden-3-way-thermostatic-shower-valve-kit-in-landscape-brushed-nickel-2>