

SOFIA CISTERN KIT (FOR SOCC02) - INCLUDES CISTERN TANK, INTERNALS, AND FLUSH HANDLE



Product Code: SOCC-CK

PRODUCT INFORMATION

Finish:	Gloss White
Height:	370mm
Width:	361mm
Depth:	168mm
Material	Ceramic, Stainless Steel, Brass, Plastic
Weight	13kg
Approvals/Standards	WRAS, AUK1 (Air gap technology)
Guarantee	Lifetime, 2 years on working parts
Compatible Pan(s)	SOCC02, SOCC02.L, SOCC02.R

DESCRIPTION

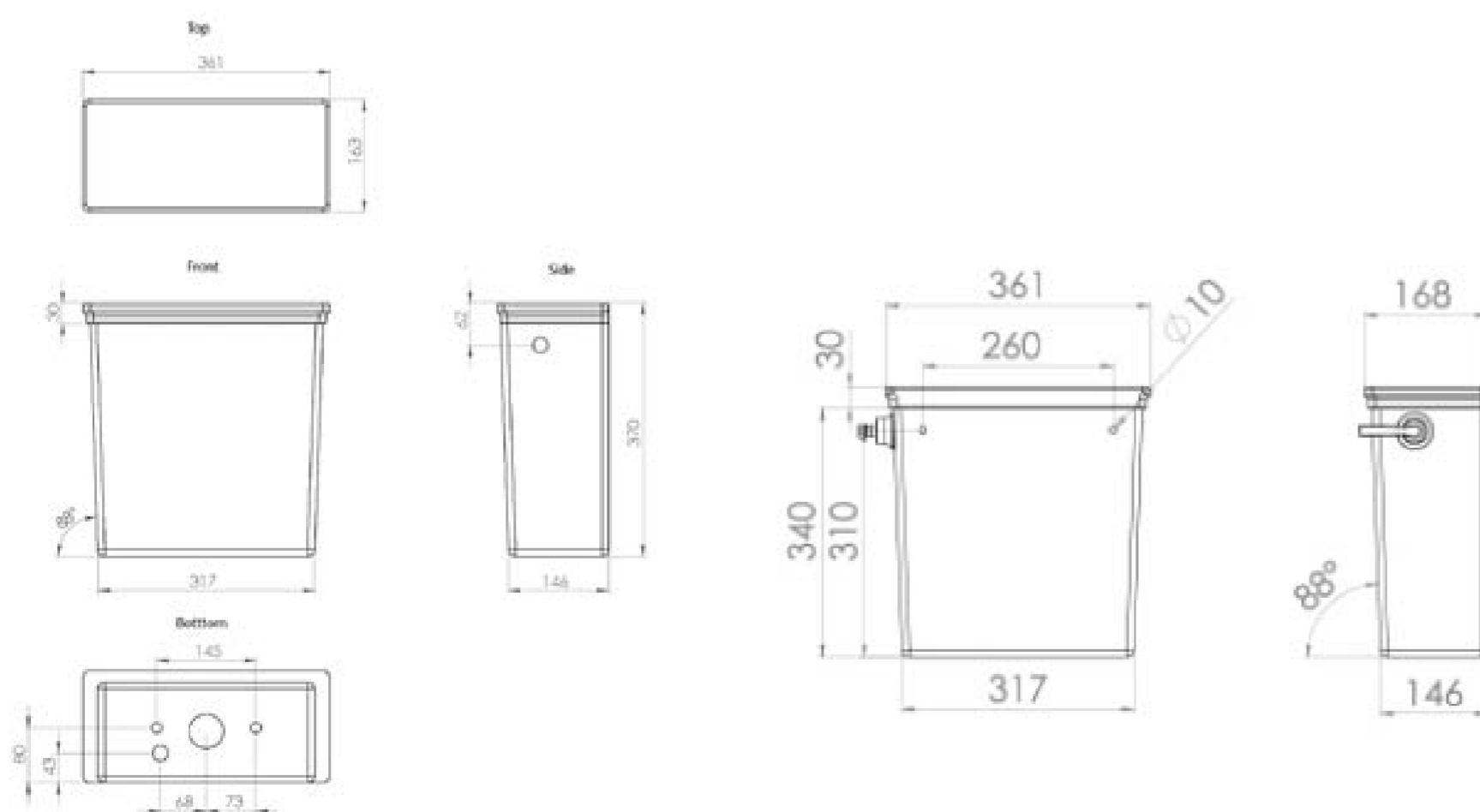
Discovering traditional yet stylish ceramics and furniture can be tough, and this struggle is how the SOFIA collection came to life. We wanted to create traditional sanitaryware that is primarily traditional but has contemporary elements throughout.

This cistern features a traditional flush mechanism in a crisp chrome finish, but the internals are unmistakably modern as they are WRAS approved and feature Air Gap technology, a regulation that ensures that the water flowing through your cistern will not come into contact with water flowing through your mains.

*Pan sold separately

Compatible pan: SOCC02, SOCC02.L, SOCC02.R

TECHNICAL DRAWING



Saneux reserves the right to alter the specifications and product range without prior notice. Dimensions are given as a guide only. Dimensions should not be used for surrounding furniture, fixtures and fittings until the product is on site.

<https://saneux.com/products/sofia-cistern-kit-for-socc02-includes-cistern-tank-internals-and-flush-handle-2>