

# TOOGA 3 WAY THERMOSTATIC SHOWER VALVE KIT - MATTE BLACK



**Product Code:** TO221.MB

---

## PRODUCT INFORMATION

<b>Finish:</b>	Matte Black (Electroplated)
<b>Height:</b>	275mm
<b>Width:</b>	120mm
<b>Depth:</b>	183mm
<b>Material</b>	Stainless Steel, Brass
<b>Weight</b>	4.33kg
<b>Approvals/Standards</b>	WRAS
<b>Guarantee</b>	5 years
<b>Outlets</b>	3

---

## DESCRIPTION

The TOOGA brassware collection features products that will be the focal point of any bathroom with its sharp, sleek lines.

This TOOGA 3 way thermostatic shower valve in a modern matte black finish will create a modern feel to your shower and bathroom as a whole.

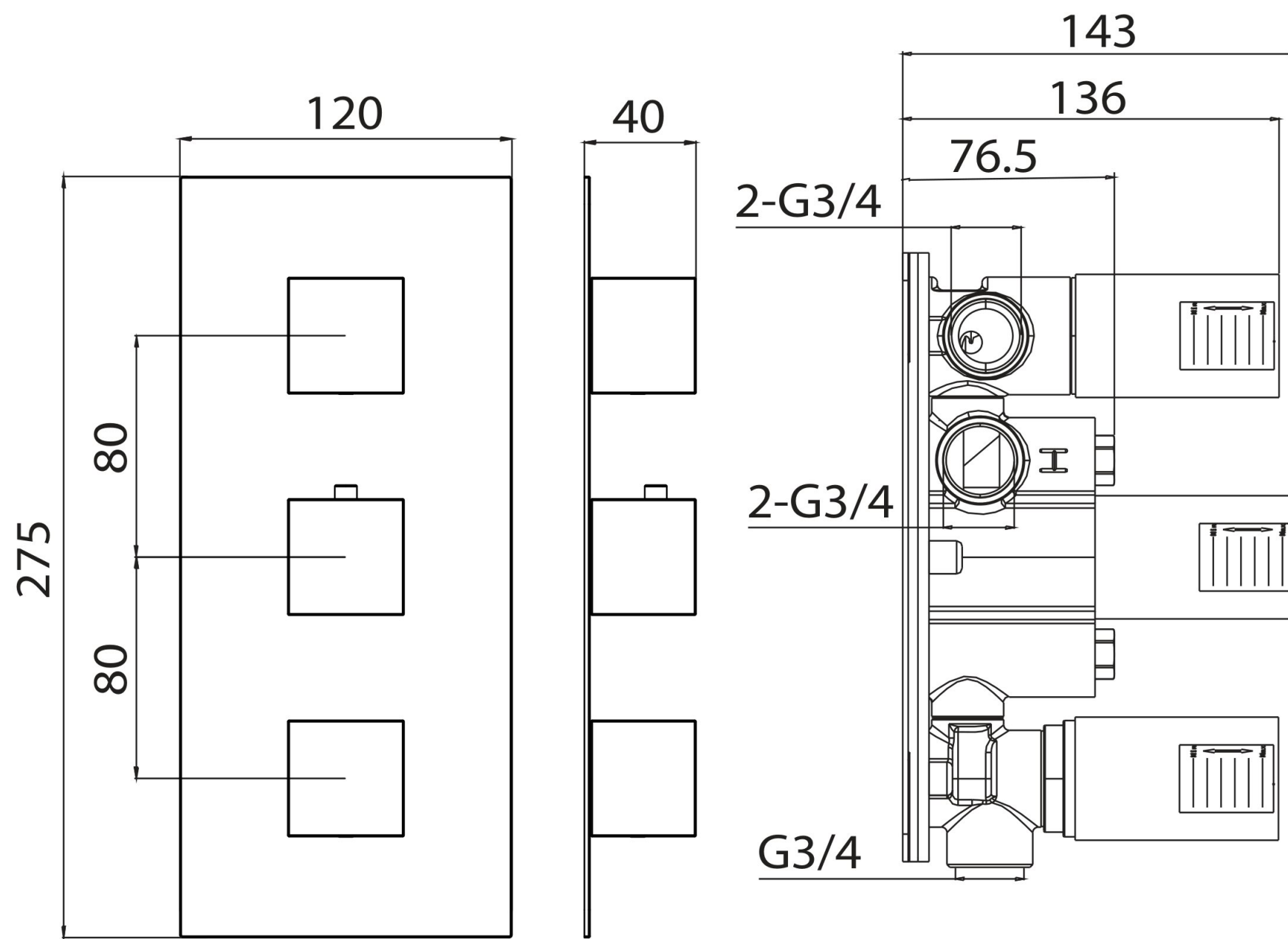
This portrait thermostatic valve has 3 outlets which allows it to control a shower head, handset and bath filler. The top and bottom handles control the on/off function of the components, whilst the middle handle controls the water temperature.

\*WRAS Approved valve

---

# TECHNICAL DRAWING

# FLOW RATE



- 1 Bar - Flowrate: 16 l/min
- 2 Bar - Flowrate: 22.5 l/min
- 3 Bar - Flowrate: 28.5 l/min

Saneux reserves the right to alter the specifications and product range without prior notice. Dimensions are given as a guide only. Dimensions should not be used for surrounding furniture, fixtures and fittings until the product is on site.

<https://saneux.com/products/tooga-3-way-thermostatic-shower-valve-kit-matte-black-2>