

# EMBER 1000X500MM PRE-FILLED TOWEL RAIL - BRUSHED BRONZE



Product Code: EM1005.FBR

## PRODUCT INFORMATION

<b>Finish:</b>	Brushed Bronze (PVD)
<b>Height:</b>	1000mm
<b>Width:</b>	500mm
<b>Depth:</b>	72mm
<b>Material</b>	Stainless Steel
<b>Weight</b>	9.36kg
<b>Guarantee</b>	5 years
<b>IP Rating</b>	IP44
<b>Voltage (V)</b>	220-240v
<b>WATTS - T 50 (W)</b>	300W
<b>Horizontal Bar Count</b>	14
<b>Max Working Temperature (°C)</b>	70°C
<b>Zone Suitability</b>	Zone 2

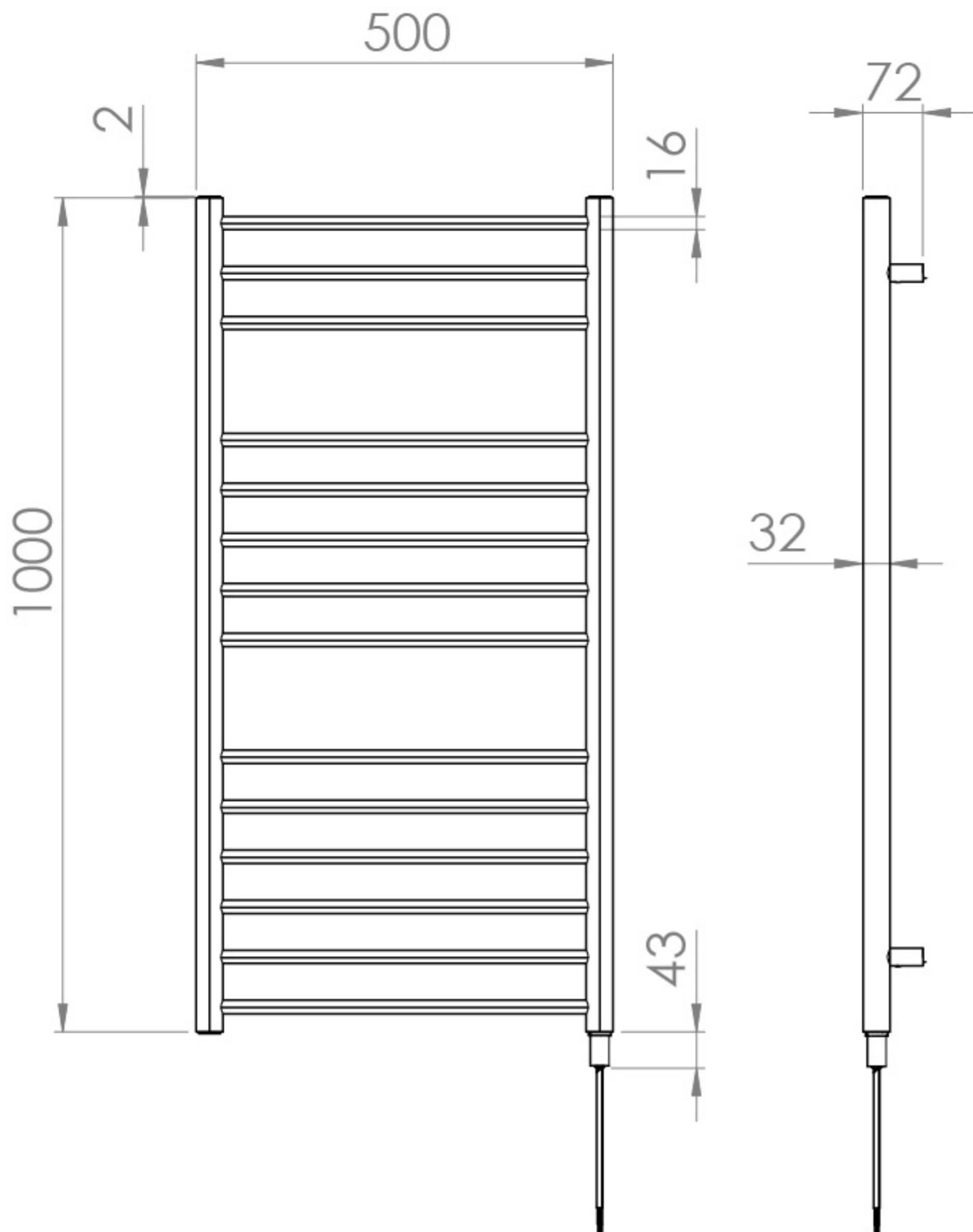
## DESCRIPTION

The EMBER 500x1000mm pre-filled towel rail & heating element in brushed brass is certainly a stand out piece to have featured in your bathroom.

It has 14 bars so you can display a couple of towels to keep them warm, and it has a clean, minimalist design so that it can work in modern interiors. It also comes with an integrated heating element.

It has a PVD finish, a durable finish that will continuously look flawless for years to come.

# TECHNICAL DRAWING



Saneux reserves the right to alter the specifications and product range without prior notice. Dimensions are given as a guide only. Dimensions should not be used for surrounding furniture, fixtures and fittings until the product is on site.

<https://saneux.com/products/ember-1000x500mm-pre-filled-towel-rail-brushed-bronze>