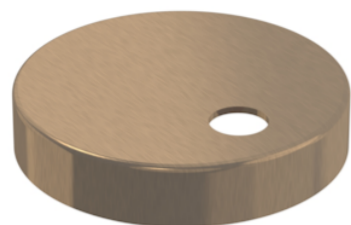


TOILET SEAT HINGE COVERS - BRUSHED BRONZE



Product Code: TSHC.BR

PRODUCT INFORMATION

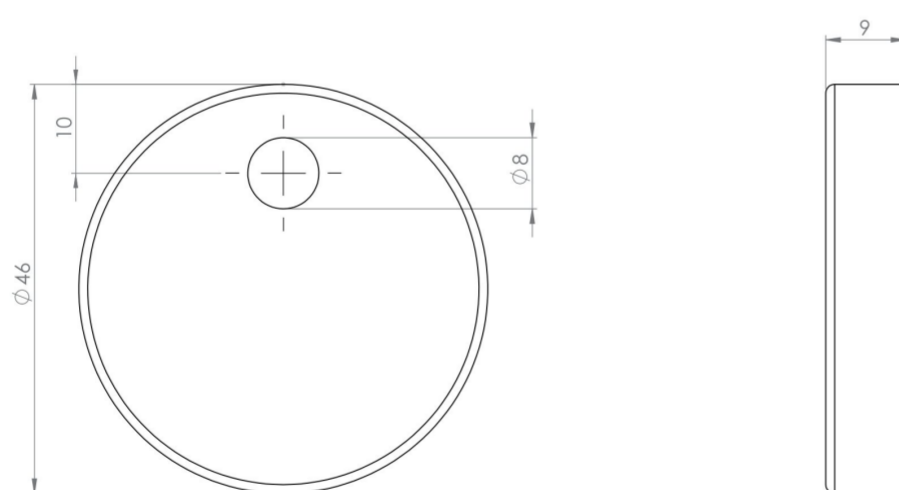
| | |
|----------------------|---------------------|
| Finish: | Brushed Bronze |
| Height: | 9mm |
| Width: | 46mm |
| Depth: | 46mm |
| Weight | 0.2kg |
| Range Pairing | Matteo, uni, Austen |
| Guarantee | 2 years |

DESCRIPTION

Complete your brushed bronze bathroom by adding these toilet seat hinge covers. It's the finer details like this that make all the difference. Comes with 2 hinge covers.

*Compatible with the MATTEO soft close toilet seat (MATS01), UNI Soft close toilet seat (66101, 66102) & Austen soft close toilet seat (50073)

TECHNICAL DRAWING



Saneux reserves the right to alter the specifications and product range without prior notice. Dimensions are given as a guide only. Dimensions should not be used for surrounding furniture, fixtures and fittings until the product is on site.