

# UNIVERSAL BASIN WASTE, SLOTTED & UNSLOTTED - SATIN BLACK



**Product Code:** WX001.SB

---

## PRODUCT INFORMATION

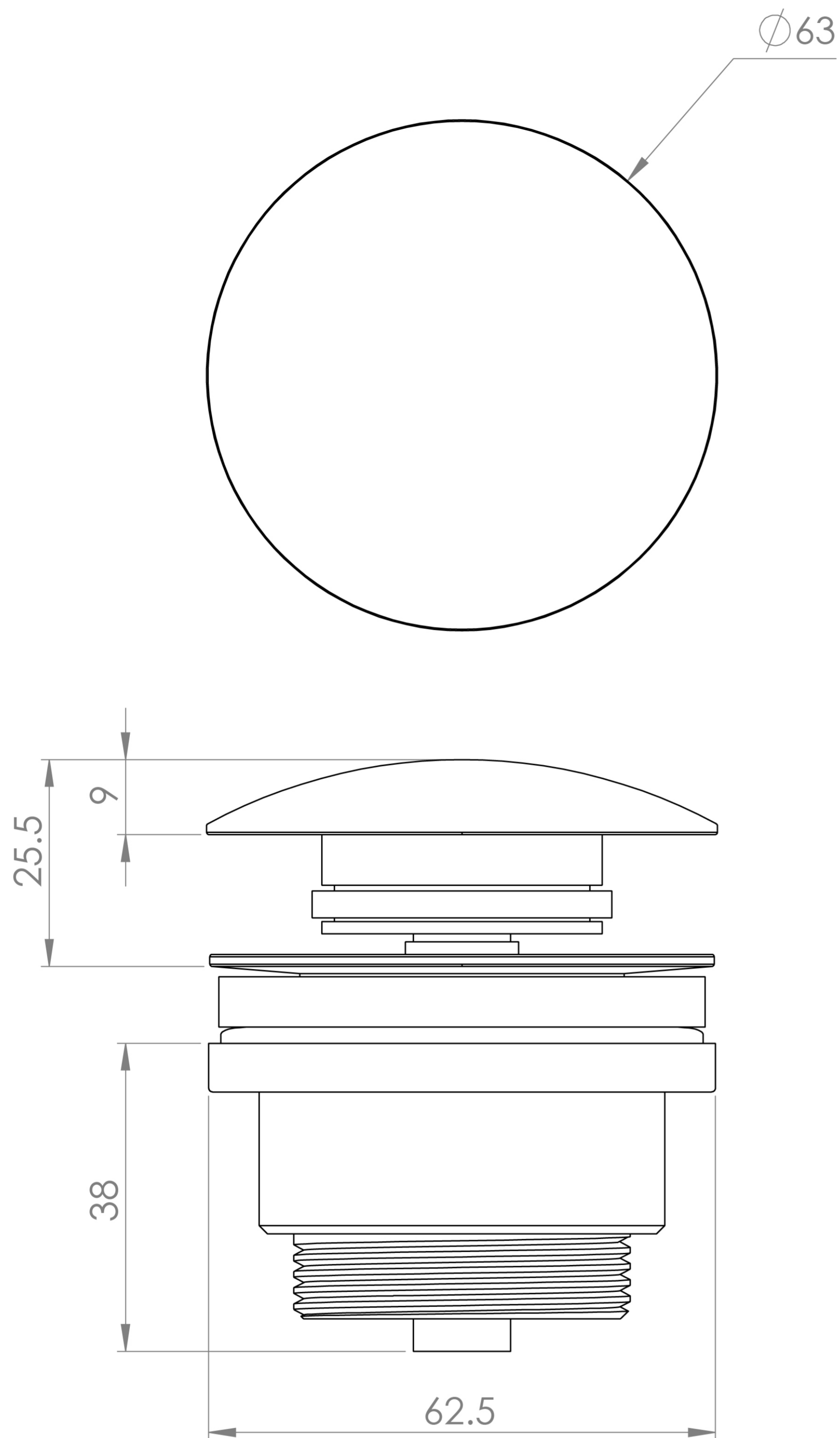
<b>Finish:</b>	Satin Black (PVD)
<b>Height:</b>	70mm
<b>Width:</b>	63mm
<b>Depth:</b>	63mm
<b>Material</b>	Brass
<b>Weight</b>	0.5kg
<b>Guarantee</b>	2 years
<b>Other Features</b>	Works with Slotted & Unslotted Basins

---

## DESCRIPTION

Upgrade your bathroom with our Universal Basin Wastes, available in Chrome, Brushed Brass, Brushed Bronze, Brushed Nickel, and Satin Black. Designed for versatility and easy to install, they fit basins with or without an overflow. Featuring a durable PVD finish for long-lasting beauty, they pair perfectly with our matching overflow covers for a cohesive and stylish look.

---



Saneux reserves the right to alter the specifications and product range without prior notice. Dimensions are given as a guide only. Dimensions should not be used for surrounding furniture, fixtures and fittings until the product is on site.