

EDEN 3 PIECE DECK MOUNTED BASIN MIXER - BRUSHED BRASS



Product Code: ED003.BB

PRODUCT INFORMATION

Finish:	Brushed Brass (PVD)
Height:	220mm
Width:	245mm
Depth:	157mm
Material	Brass
Waste	Not included, purchase separately
Guarantee	5 years
Other Features	Pair with a 3 tap hole basin

DESCRIPTION

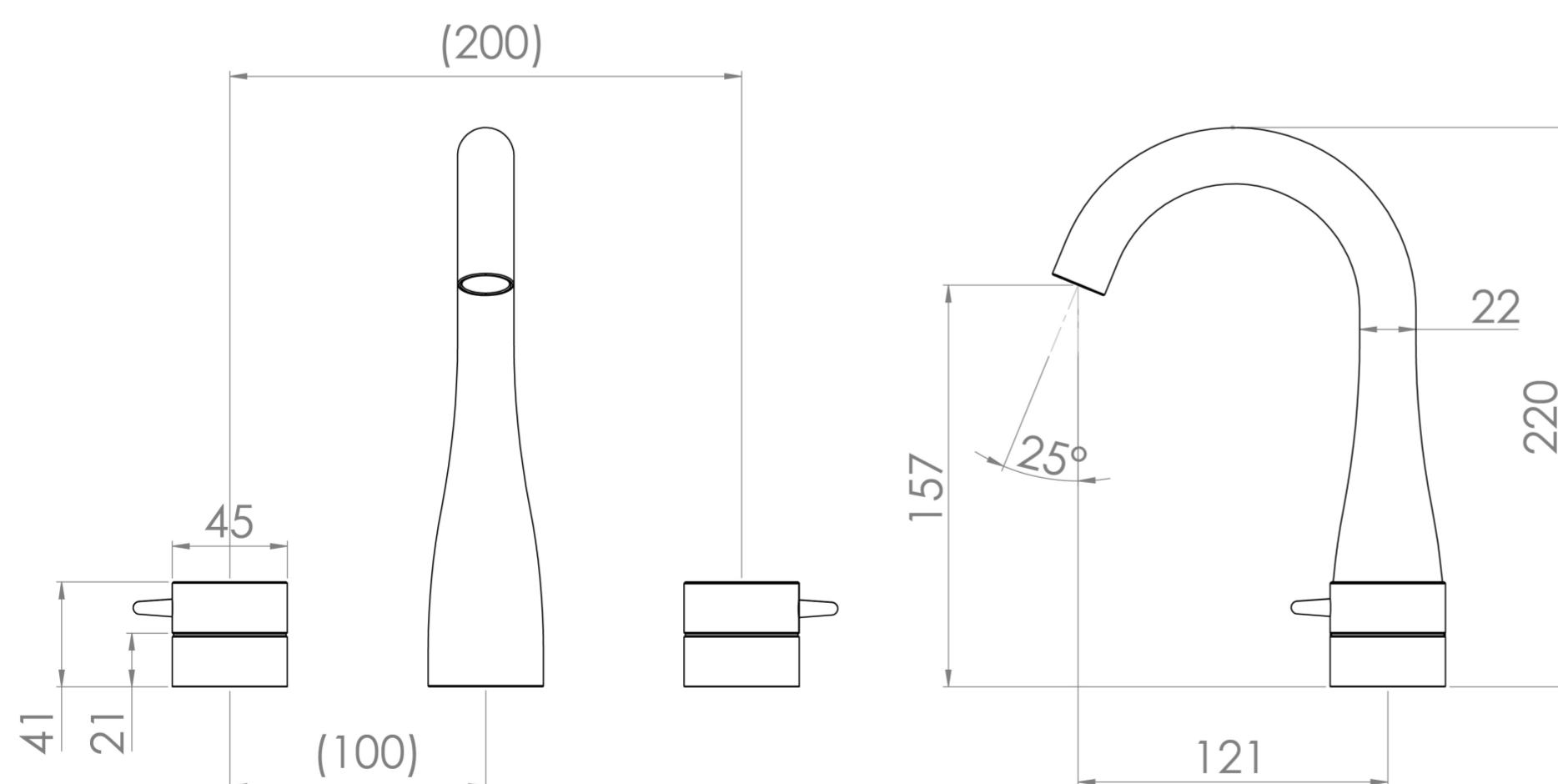
Beautifully curved and organic, the EDEN brassware is a truly unique brassware range.

The 3 piece deck mounted basin mixer mimics the swan-line neck in the spout, and replicated to the small handle levers to create an all-encompassing sleek and sophisticated look.

Pair with a 3 tap hole basin for a seamless design. The finish is PVD, meaning it is extremely hardwearing and easy to clean.

Waste to be purchased separately.

TECHNICAL DRAWING



Saneux reserves the right to alter the specifications and product range without prior notice. Dimensions are given as a guide only. Dimensions should not be used for surrounding furniture, fixtures and fittings until the product is on site.

