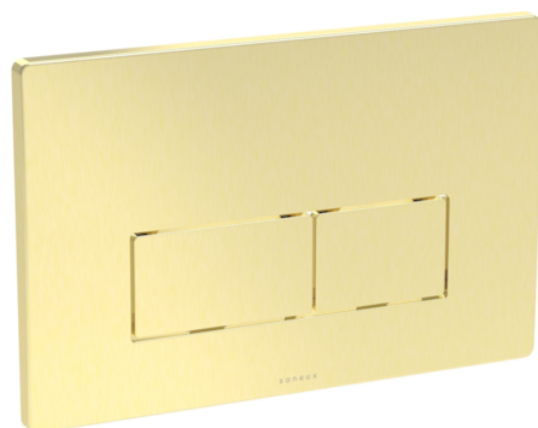


FLUSHE 2.0 SQUARE FLUSH PLATE KIT - BRUSHED BRASS



Product Code: FP001.BB

PRODUCT INFORMATION

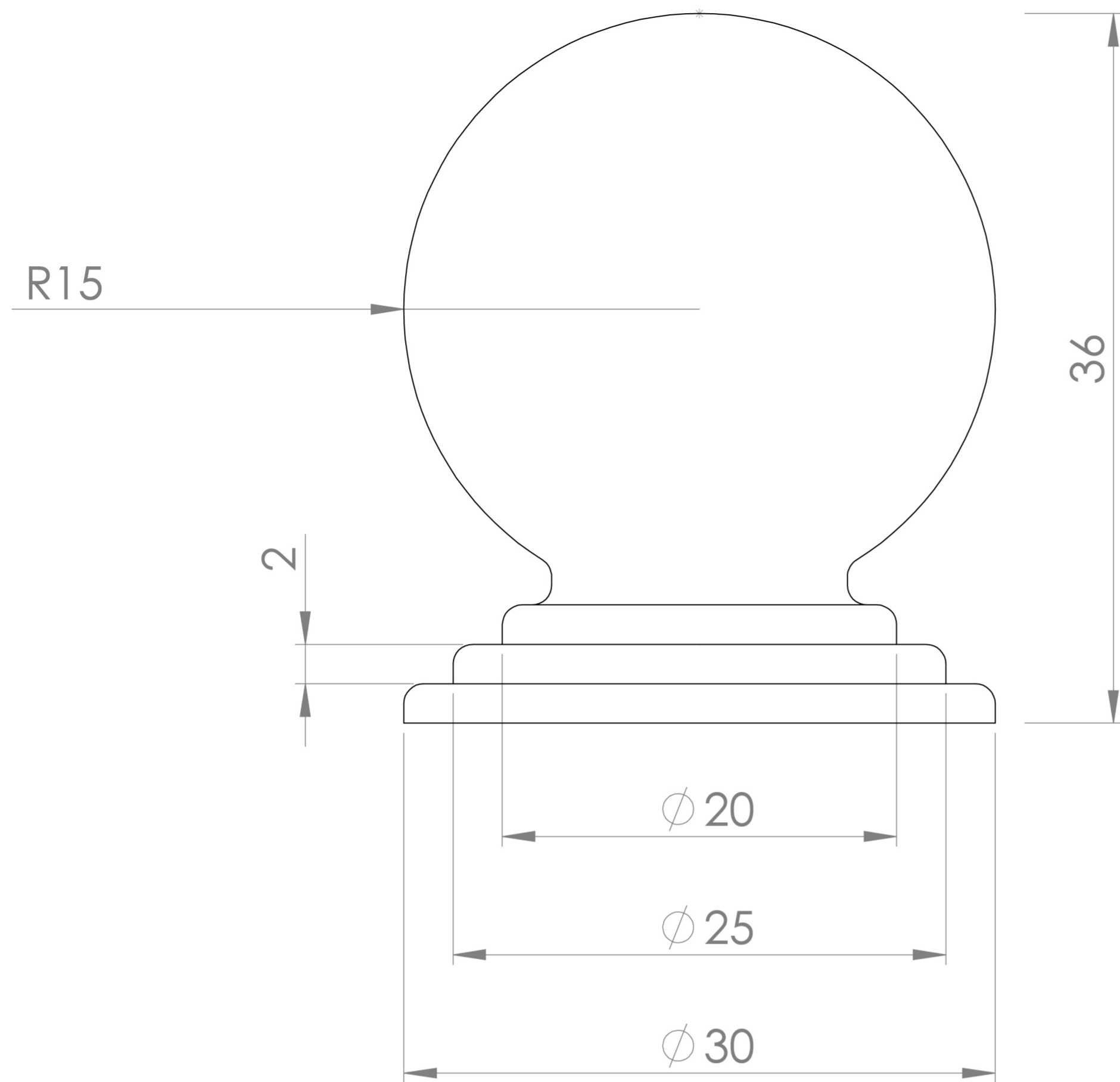
Finish:	Brushed Brass (PVD)
Height:	160mm
Width:	247mm
Depth:	6mm
Material	Stainless Steel
Weight	1.23kg
Guarantee	2 years
Compatible Cistern(s)	FL2022, FL2024, FL2026, FL2028, HC2036, HC2037

DESCRIPTION

This FLUSHE 2.0 brushed brass square flush plate is mechanical and features 2 rectangle buttons: the smaller button operates a half flush, and the larger button operates a full flush.

It is only for cisterns FL2022, FL2024, FL2026, HC2036 & HC2037

TECHNICAL DRAWING



Saneux reserves the right to alter the specifications and product range without prior notice. Dimensions are given as a guide only. Dimensions should not be used for surrounding furniture, fixtures and fittings until the product is on site.

<https://saneux.com/products/flush-20-square-flush-plate-kit-brushed-brass>