

COS LEG SET FOR THERMOSTATIC BATH SHOWER MIXER - BRUSHED NICKEL



PRODUCT INFORMATION

Finish:	Brushed Nickel (PVD)
Material	Brass

Product Code: CO307.LEGS.BN

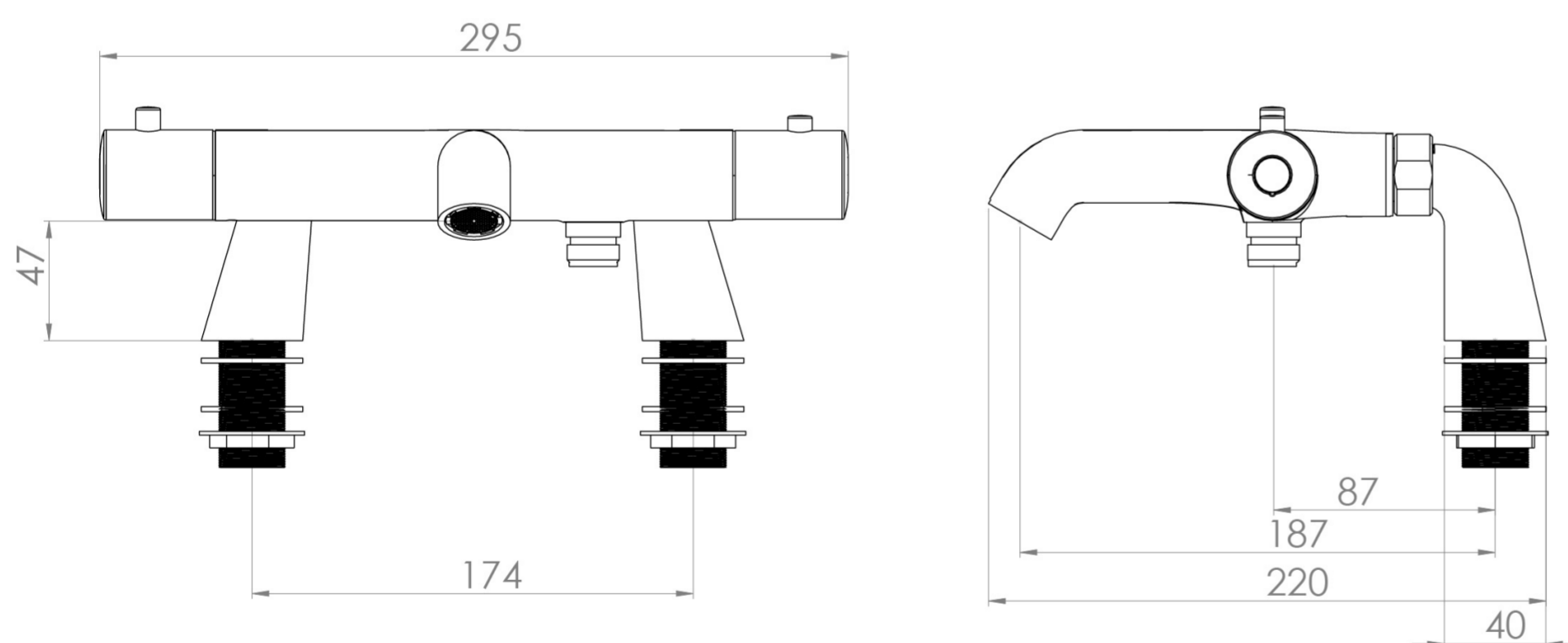
DESCRIPTION

The Cos legset specifically designed to transform the thermostatic bath shower mixer into a deck mounted version.

It offers five stunning finishes: Chrome, Brushed Brass, Brushed Bronze, Brushed Nickel, and Satin Black.

The colored finishes utilize a PVD coating, ensuring superior quality and long-lasting durability.

TECHNICAL DRAWING



Saneux reserves the right to alter the specifications and product range without prior notice. Dimensions are given as a guide only. Dimensions should not be used for surrounding furniture, fixtures and fittings until the product is on site.