

COS 3 WAY THERMOSTATIC SHOWER RING VALVE KIT - W/ CLASSIC HANDLE - LANDSCAPE - BRUSHED NICKEL



PRODUCT INFORMATION

Height:	73mm
Width:	225mm
Finish:	Brushed Nickel (PVD)
Material	Brass
Guarantee	5 years
Outlets	3

Product Code: CO321LRV.BN

DESCRIPTION

The COS 3-Way Thermostatic Ring Valve combines luxury with minimalist design.

It features 3 outlets for controlling a shower head, handset, and bath filler. The left and right handles manage on/off functions, while the middle handle adjusts temperature.

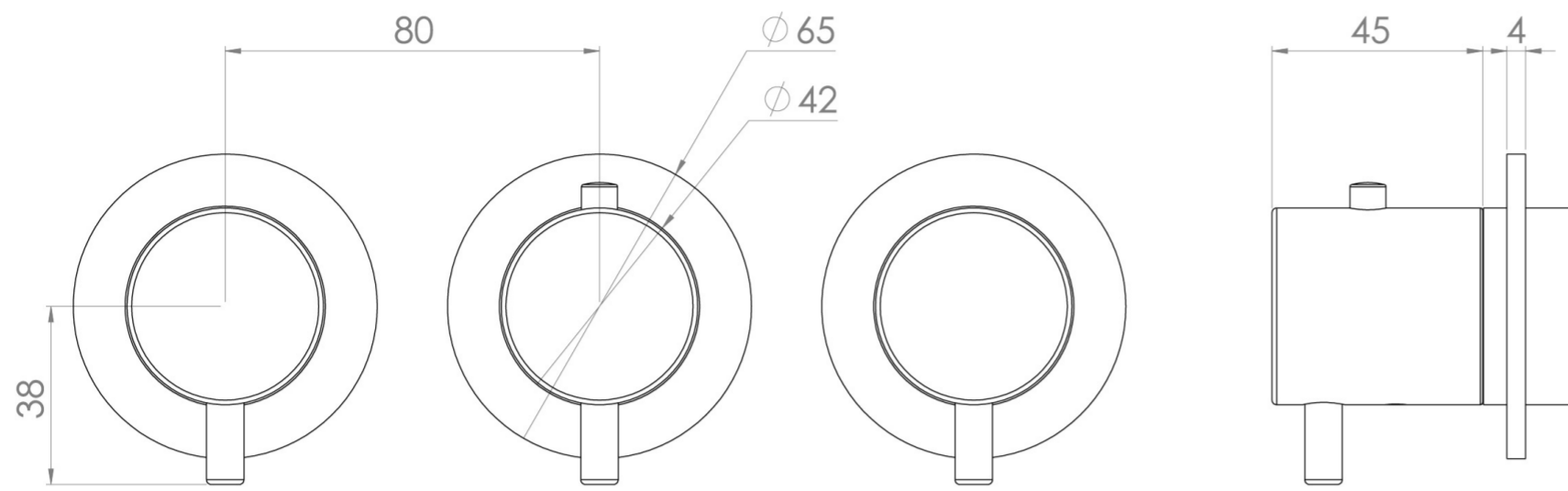
Install it portrait or landscape and choose from three handle styles—Classic, Knurled, and Fluted—in five finishes: Chrome, Brushed Brass, Brushed Bronze, Brushed Nickel, and Satin Black. PVD coating ensures durability.

WRAS Approved Valve

TECHNICAL DRAWING

FLOW RATE

- 0.5 Bar - Flowrate: 7.8 l/min
- 1 Bar - Flowrate: 16 l/min
- 2 Bar - Flowrate: 22.5 l/min
- 3 Bar - Flowrate: 28.5 l/min
- 5 Bar - Flowrate: 24.2 l/min



Saneux reserves the right to alter the specifications and product range without prior notice. Dimensions are given as a guide only. Dimensions should not be used for surrounding furniture, fixtures and fittings until the product is on site.

<https://saneux.com/products/cos-3-way-thermostatic-shower-ring-valve-kit-w-classic-handle-landscape-brushed-nickel>