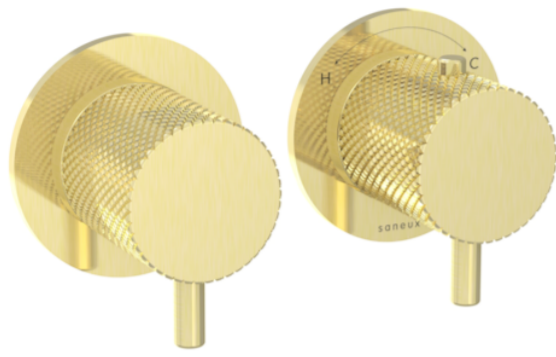


# COS 2 WAY THERMOSTATIC SHOWER RING VALVE KIT - W/ KNURLED HANDLE - LANDSCAPE - BRUSHED BRASS



**Product Code:** CO320LRV.KBB

## PRODUCT INFORMATION

<b>Height:</b>	72mm
<b>Width:</b>	145mm
<b>Finish:</b>	Brushed Brass (PVD)
<b>Material</b>	Brass
<b>Guarantee</b>	5 years
<b>Outlets</b>	2

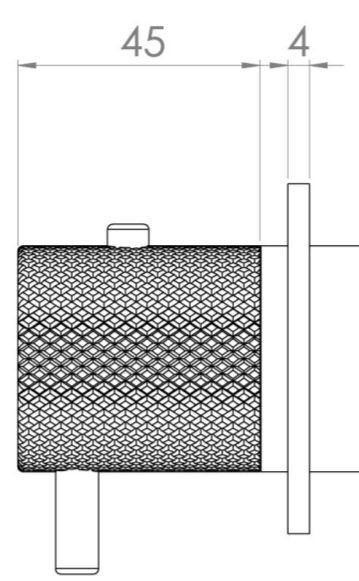
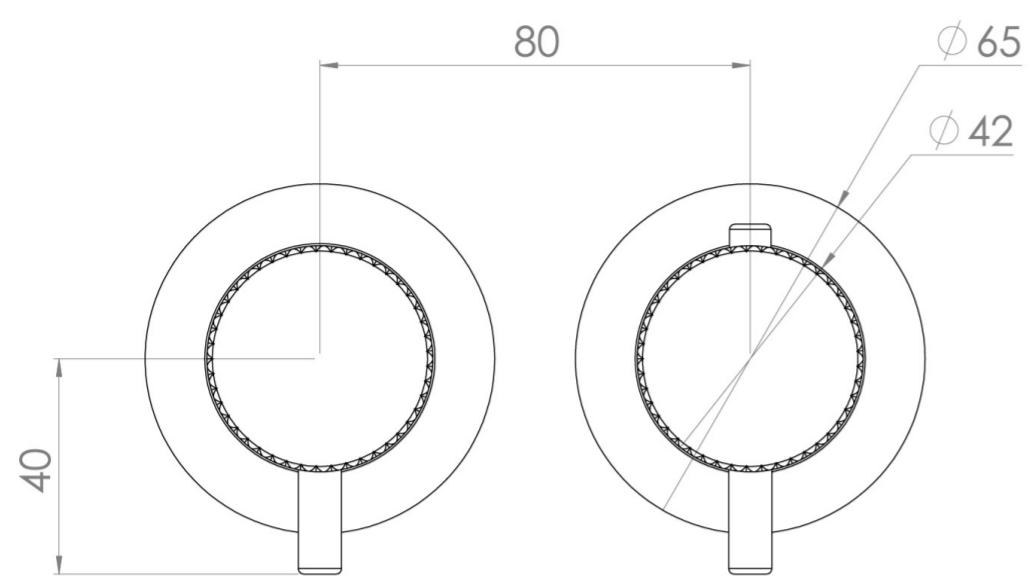
## DESCRIPTION

The COS 2-Way Thermostatic Ring Valve adds a touch of luxury to any shower or bathroom with its sleek, minimalist design. It features two outlets, allowing you to control a shower head and handset, a handset and bath filler, or a shower head and bath filler. The top handle manages the on/off function, while the bottom handle adjusts the temperature.

It can be installed portrait or landscape and offers three handle options—Classic, Knurled, and Fluted—in five finishes: Chrome, Brushed Brass, Brushed Bronze, Brushed Nickel, and Satin Black. The PVD-coated finishes ensure durability and high quality.

WRAS Approved Valve

## TECHNICAL DRAWING



## FLOW RATE

- 0.5 Bar - Flowrate: 7.8 l/min
- 1 Bar - Flowrate: 16 l/min
- 2 Bar - Flowrate: 22.5 l/min
- 3 Bar - Flowrate: 28.5 l/min
- 5 Bar - Flowrate: 24.2 l/min

---

Saneux reserves the right to alter the specifications and product range without prior notice. Dimensions are given as a guide only. Dimensions should not be used for surrounding furniture, fixtures and fittings until the product is on site.

<https://saneux.com/products/cos-2-way-thermostatic-shower-ring-valve-kit-w-knurled-handle-landscape-brushed-brass>